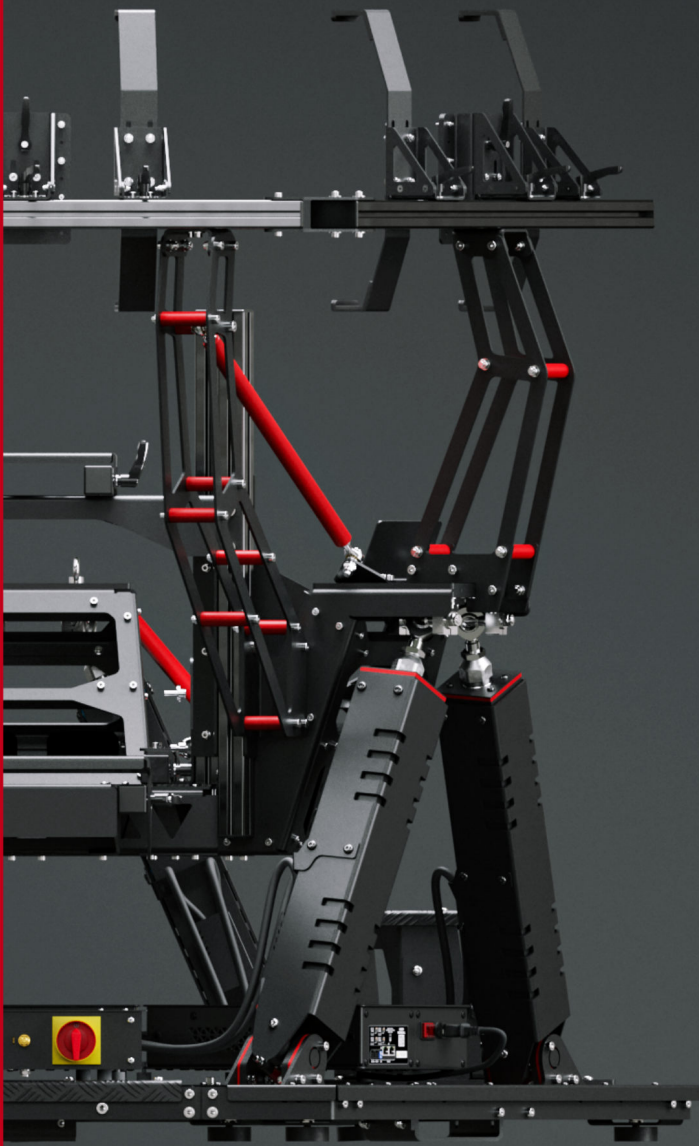


EN

# USER MANUAL



**PRECISION** IN MOTION  
**REDEFINED**

**QS S25**



---

The Motion Systems, manufacturer of Qubic System, would like to thank you for choosing the QS-S25, an innovative product that helps you to develop highly reliable training and entertainment solutions that reproduce key immersive elements, such as surface textures, acceleration, engine vibrations and vehicle dynamics for multiple types of land, air or sea vehicles. Our motion system has been designed to deliver the most realistic simulation experience. We hope you enjoy your new Qubic System!

Our experts are ready to assist you:  
[QubicSystem.com/contact](https://QubicSystem.com/contact)



## ASK SUPPORT

Our experts are ready to assist you:  
[MotionSystems.eu/Support](https://MotionSystems.eu/Support)



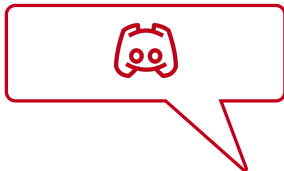
## SEARCH OUR TUTORIALS

Everything you wish to know is here:  
[QubicSystem.com/Tutorials](https://QubicSystem.com/Tutorials)



## SUPPORTED GAMES

Racing games and professional simulation software:  
[QubicSystem.com/Supported-Games](https://QubicSystem.com/Supported-Games)



## DISCORD YOU ASK, WE ANSWER

Join our discord server to ask questions:  
[Discord.com/invite/tuAtybvTRn](https://Discord.com/invite/tuAtybvTRn)

# Contents

<b>1</b>	<b>Safety precautions</b>	<b>6</b>
1.1	Health and Safety Instruction	8
<b>2</b>	<b>Product description</b>	<b>11</b>
2.1	Complete view	11
2.2	Dimensions	13
2.3	Components (assembled variant)	15
2.4	Labels and warning plates placement	16
2.5	Safe distances	17
2.6	Environmental conditions	17
2.7	Power Requirements	18
2.8	Power consumption	18
2.9	Grounding requirements	19
2.10	Noise emission	21
<b>3</b>	<b>QS-S25 modularized assembly</b>	<b>22</b>
3.1	Lower frame assembly	25
3.2	Mounting actuators and power cabinets	28
3.3	Mounting cockpit frame	32
3.4	Mounting lower frame accessories	34
3.5	Mounting cockpit accessories	36
3.5.1	Seat mover	37
3.5.2	Keyboard holder	38
3.5.3	Shifter/handbrake plate	39
3.5.4	VR goggles hanger	40
3.5.5	Steering wheel desk	41
3.5.6	Steering wheel bracket	47
3.5.7	Pedals bracket	49
3.5.8	Monitors holders	51
3.5.9	Speaker holders	59
<b>4</b>	<b>Installation</b>	<b>60</b>
4.1	Transportation	60
4.1.1	Attaching wheel modules	61
4.1.2	Lifting the platform	62
4.2	Anchoring	63
4.3	CFG switch configuration	65
4.4	Interconnections	66
4.5	Motion lock connection with other QS devices	67
4.6	Connecting power cords	68
4.7	Connecting grounding wires	69
4.7.1	Connecting building earthing wire	70
4.8	Software Installation	71
<b>5</b>	<b>Maintenance</b>	<b>77</b>
<b>6</b>	<b>Troubleshooting</b>	<b>78</b>
6.1	Creating a snapshot	79
6.2	Discord channel	81
<b>7</b>	<b>Advanced applications</b>	<b>82</b>
7.1	Adding additional devices to the motion lock circuit	82
7.2	Implementing the working zone protection	84

---

7.3	Increasing safety level . . . . .	85
7.3.1	Assembling Motion Lock jumper . . . . .	85
7.3.2	Adding power-cut circuit with E-STOP button . . . . .	86
7.3.3	Implementing the working zone protection with power-cut circuit . . . . .	88
7.4	Implementing non-factory Motion lock switch . . . . .	89
<b>8</b>	<b>Environmental Impact and Disposal . . . . .</b>	<b>90</b>
<b>9</b>	<b>Liability Disclaimer . . . . .</b>	<b>90</b>
<b>10</b>	<b>Warranty . . . . .</b>	<b>91</b>
<b>11</b>	<b>Copyright . . . . .</b>	<b>92</b>
<b>12</b>	<b>Manufacturer information . . . . .</b>	<b>92</b>

---

# 1. SAFETY PRECAUTIONS

## INFO

Read all safety instructions before installing and using this product. Save this document for future reference. If ownership of this product is transferred, be sure to include this manual.

## WARNING



The device is intended solely for individuals **OVER THE AGE OF 16**. In case of use by individuals with limited physical, sensory, or mental capabilities, strict supervision is required. Read safety instructions before using the device.

## WARNING



The device is **NOT** allowed to be used by a pregnant woman.

## WARNING



**DO NOT** use the device around pets.

## WARNING



Always ensure that cockpit attachment points can withstand forces generated by the QS-S25 (approved construction or tested for expected load). Check the cockpit for loose mounting points.

## WARNING



To reduce the risk of burns, fire, electrical shock, injury or mechanical damage always **TURN OFF THE POWER SUPPLY** before plugging and unplugging the QS-S25. Dangerous voltages level can be present in Power Cabinet for a few minutes after turning off the machine.

**WARNING**



**DO NOT** touch the actuators when the power is on.

- Use the QS-S25 only for its intended purpose, according to instructions.
- Unplug the QS-S25 from the power supply if it is not used for an extended period or when there is a need to perform hardware installation, maintenance, servicing or repairs.
- The QS-S25 was designed for indoor use only - **DO NOT** store or use the product outdoors.
- Keep the QS-S25 away from the heat sources, high humidity, water, and other liquids. **DO NOT** store in cold place where water condensation may occur.
- **DO NOT** disassemble the product. Any tampering with or altering the product will void the warranty, poses a serious risk of electric shock, and may irreparably damage the product.
- **DO NOT** cover the ventilation holes in the Power Cabinet.
- Keep the power cord plug and the socket dry, clean and dust-free.
- Protect the power cord from damage caused by being stepped on, rubbed against, or pinched.
- **DO NOT** use the QS-S25 if the ambient temperature is below 4° Celsius (39° Fahrenheit) or above 45° Celsius (113° Fahrenheit).
- **DO NOT** use the QS-S25 if it has been damaged, or any component is broken or missing. Please contact technical support.
- **DO NOT** use attachments or replacement parts not recommended or approved by the manufacturer. If you must replace a power cord, use only certified products with the same rating as the one being replaced.
- Any modifications to machine's settings and its cockpit are at the risk of the user/installer.
- Connect the QS-S25 to a properly grounded outlet only. See grounding instructions in section **2.9** on page **19**.
- If you want to increase safety level of the system, you can add external safety devices. For detailed information see section **7** on page **82**.

**WARNING**

Stop using the QS-S25 immediately and contact technical support when the machine starts to emit unusual noise, smoke or any other suspicious behavior indicating the machine is not working properly.



---

## 1.1. HEALTH AND SAFETY INSTRUCTION

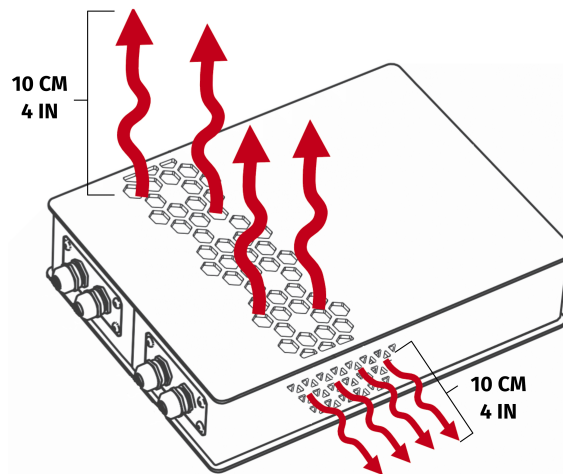
The safety of Qubic System users is top priority. To protect users and bystanders from injuries caused by mechanical parts movement and electric shock, the following instructions **MUST BE** followed.

### WARNING

As with any mechanical device, user is the one responsible for inspecting the condition of the machine before using it and ensuring safe working conditions.

#### What must be checked before turning on the device:

- Ensure that nothing is blocking machine's movements or air vents. The minimum distance between the air vents in the Power Cabinet's and any outside part of the cockpit equipment is 10 cm (4 in).



- Check if cables are mounted correctly – they must **NOT** be stretched or loosely connected to the socket. Place them out of the moving range of the device components.
- Check if all components are correctly mounted.
- Check if there are no sharp edges near the moving range of the cockpit.

### WARNING



Dangerous voltage levels are present in the Power Cabinet and cables during the operation and for up to a few minutes after turning off the machine.

## How to safely turn on and use the QS-S25:

- Ensure that everyone around is aware of cockpit's rapid movements.
- Ensure that no one stands in the range of the motion (minimum of 1.5 m [5 feet]).

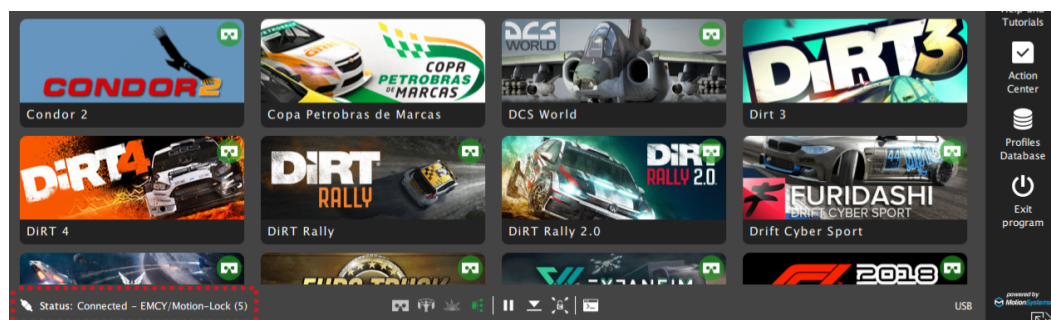
### WARNING

In order to perform a start-up calibration QS-S25 will move automatically after turning it on. **DO NOT** approach the device and **DO NOT** interfere until the procedure is over.

- **DO NOT** change the payload weight mounted to the QS-S25 during a start-up calibration.
- Motion Lock Switch should be mounted within the reach of the user – it has to be available immediately in every situation. Different seat positioning setups should be taken into account.
- Check the Motion Lock Switch **AT LEAST** once a month to reduce the possibility of unknown and unexpected failure.
- Before getting on and off the machine activate Motion Lock Switch by pressing it down.
- In case of game crash or freeze - Motion Lock Switch must be triggered (pressed down) before getting off the machine.

### INFO

To check if the QS-S25 is in the Motion Lock mode - go to QubicManager application main window. Platform status is displayed in the lower left corner of the main application window:



---

**WARNING**

Motion Lock input is not SIL/PL (safety integrity level/performance level) rated and **DOES NOT** guarantee safety. If you wish to achieve specific SIL/PL ranking, consider introducing a power cut-off device that is controlled by an external safety relay and cuts off the power to all Power Cabinets. Example application of the power cut-off contactor can be found in section **7.3.2** and **7.3.3** on pages **86** and **88**.

- For VR Headset users:
  - Remove the VR goggles before entering or exiting the rig.
  - Ensure that cables from the VR Headset are not in the movement range of the QS-S25.
  - Ensure that the whole VR setup is not in the motion range of the QS-S25.
  - Ensure that VR setup cables are protected from being crushed by the QS-S25
    - **DO NOT** place them loosely under the motion rig.

**INFO**

It is **recommended** that the connected PC is capable of running the game at stable 90 frames per second or more when VR Headset is used. Lower values can cause VR sickness.

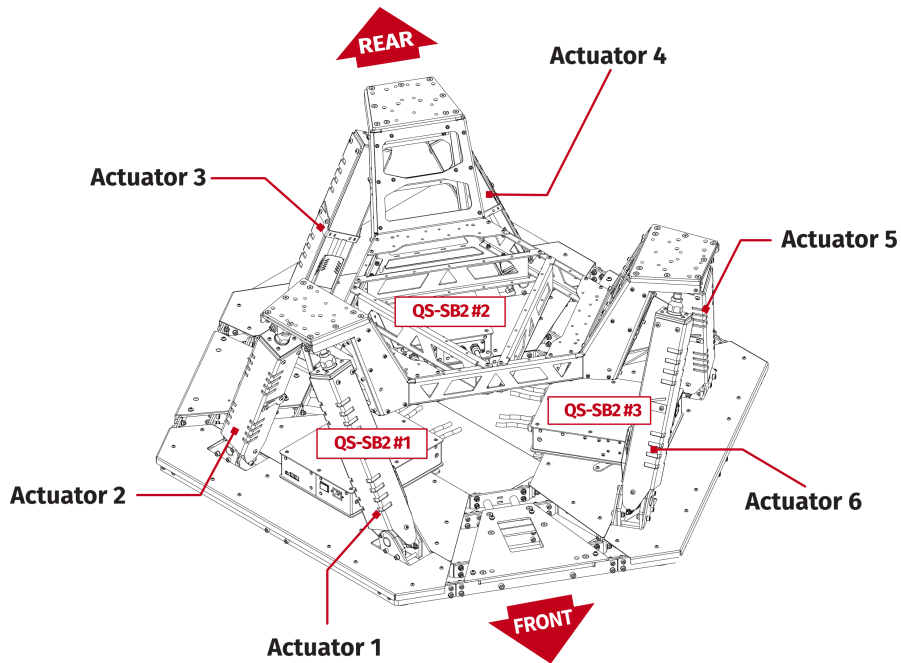
- **DO NOT** use QS-S25 if you are pregnant, tired, or under the influence of alcohol or narcotic substances.
- **STOP USING** the QS-S25 immediately if you start feeling pain, fatigue or any physical or mental discomfort.
- User **MUST** always be mentally and physically capable of operating the simulator at its full performance.
- For every two hours of playing, we recommend at least **15 MINUTES OF BREAK**.
- **DO NOT** put your hands or legs in the actuator's range of motion!
- **DO NOT** use the QS-S25 with small children or pets around.
- **DO NOT** put any items between actuators and stabilization plates.
- **DO NOT** pull the wires connecting the actuators with the Power Cabinets.
- **Always** fasten the seat belt while using the QS-S25.



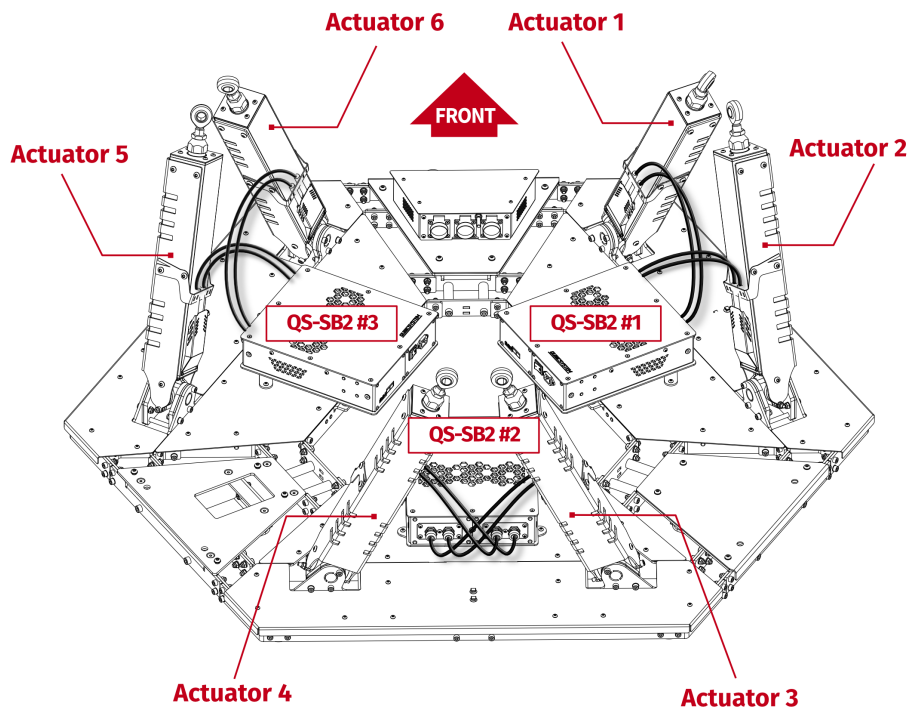
## 2. PRODUCT DESCRIPTION

### 2.1. COMPLETE VIEW

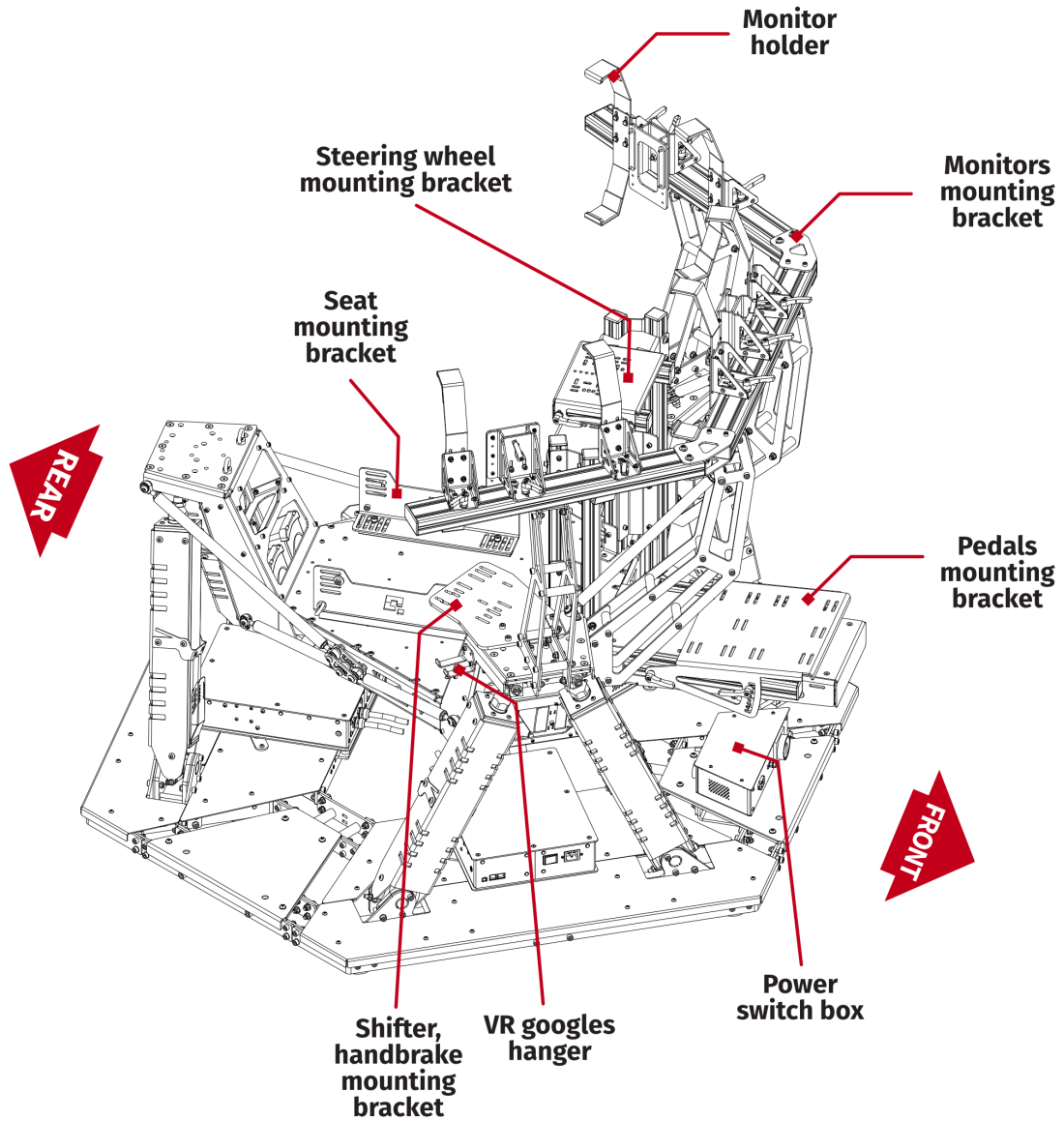
QS-S25 basic setup overview:



Actuators numbering and connections with power cabinets:



**QS-S25 basic with all additional accessories overview:**

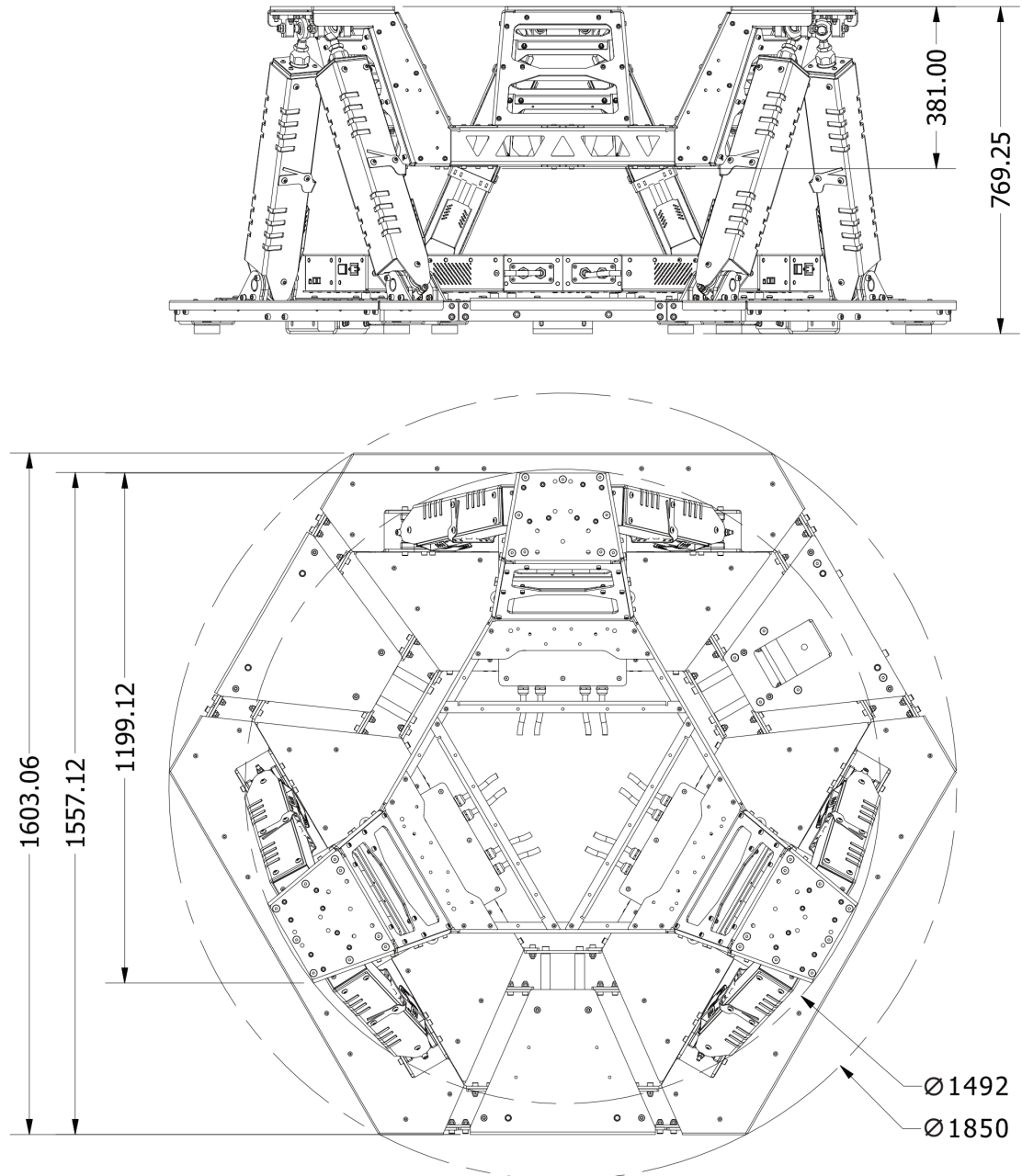


**INFO**

Use only monitors compatible with VESA 100 x 100 32" type mounting.

## 2.2. DIMENSIONS

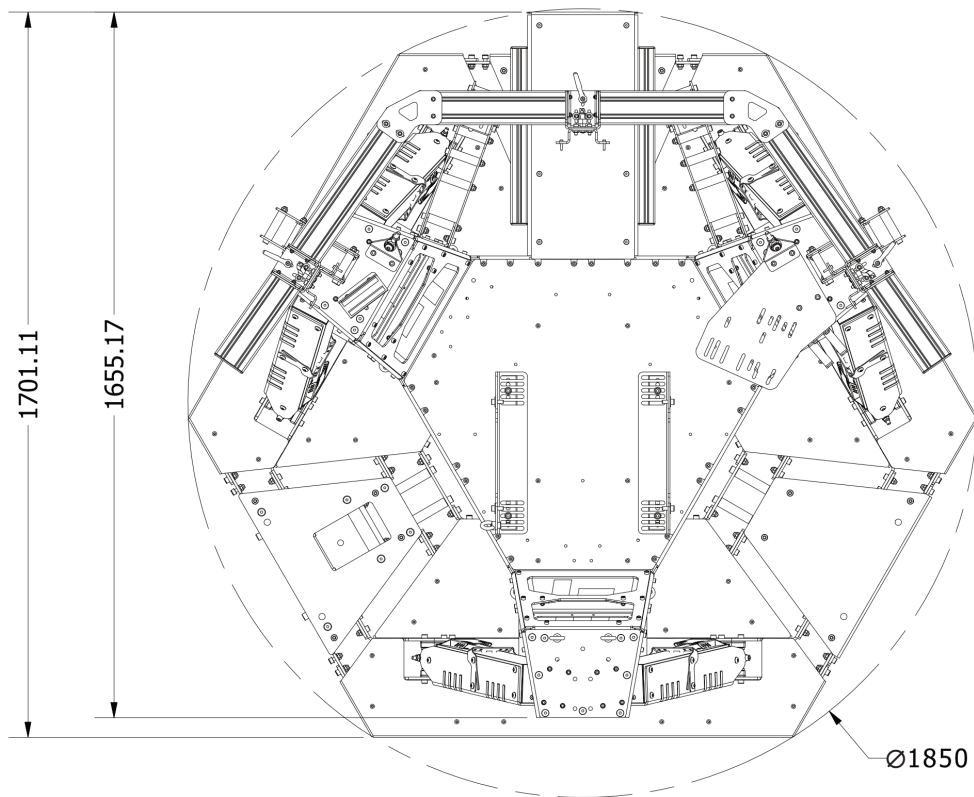
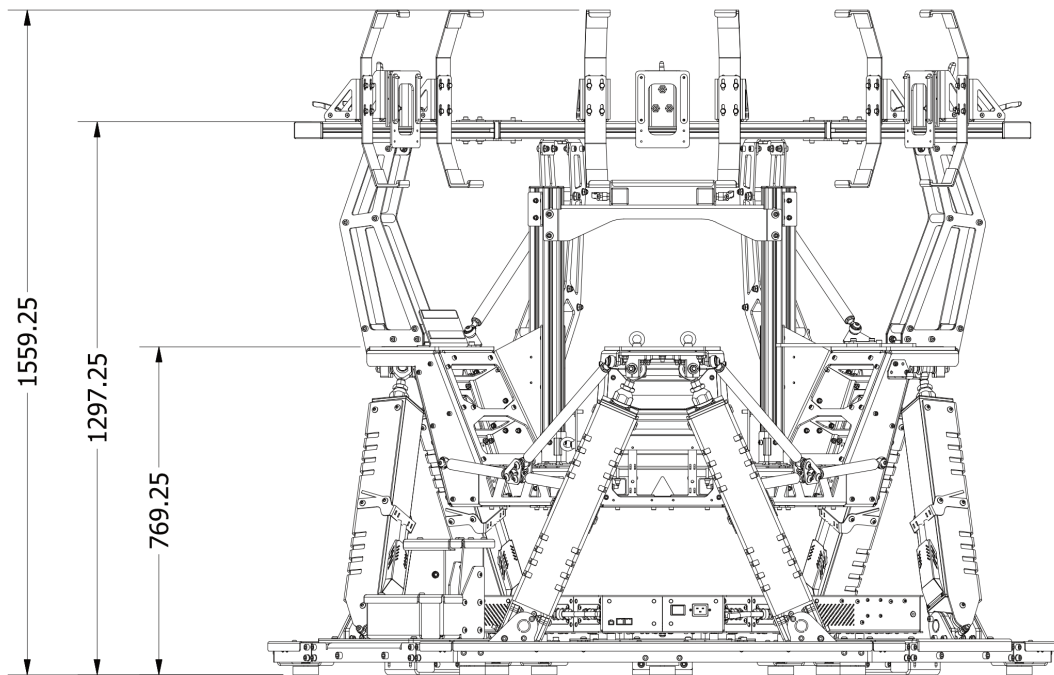
### QS-S25 basic setup dimensions:



#### INFO

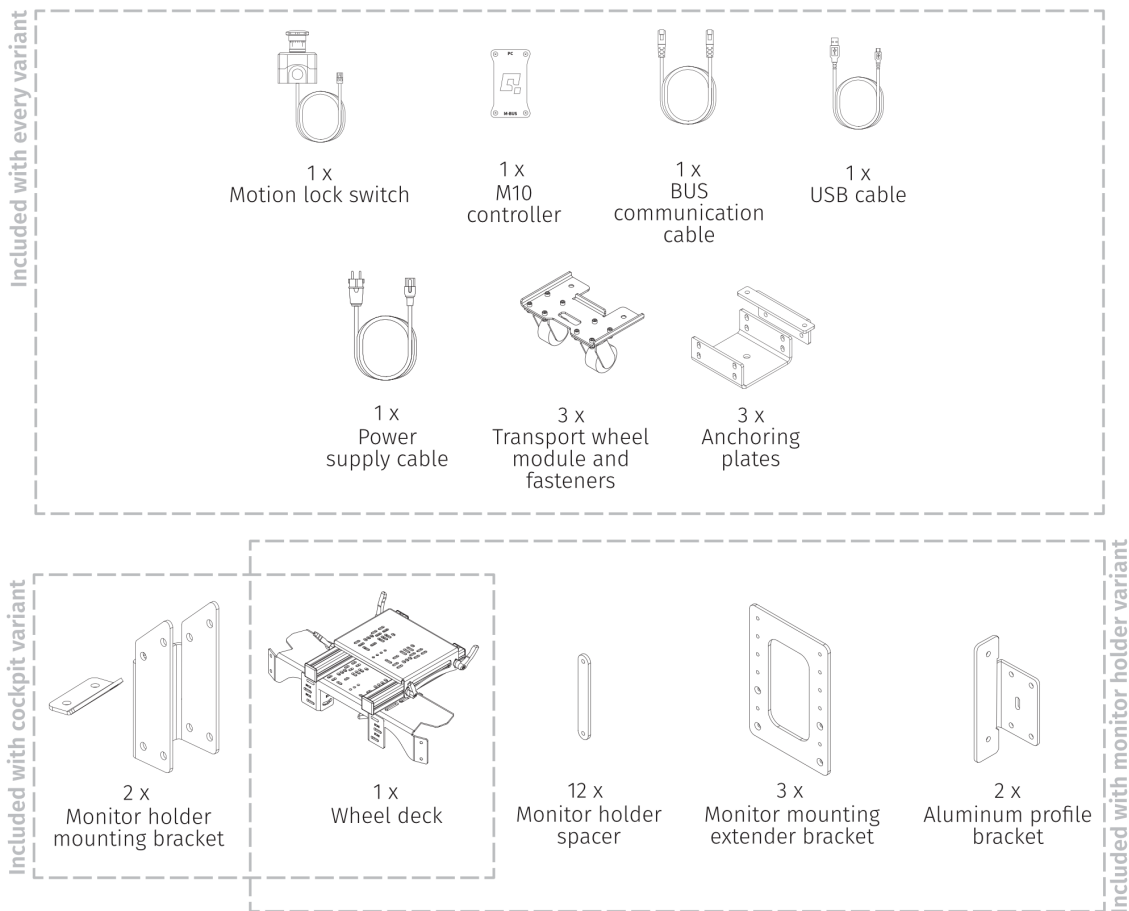
QS-S25's maximum heave is 108.3 mm (4.26 in) - ensure that the room in which the motion platform will operate has a high enough ceiling (including accessories + monitors).

**QS-S25 dimensions with accessories:**



## 2.3. COMPONENTS (ASSEMBLED VARIANT)

QS-S25 (assembled) components:

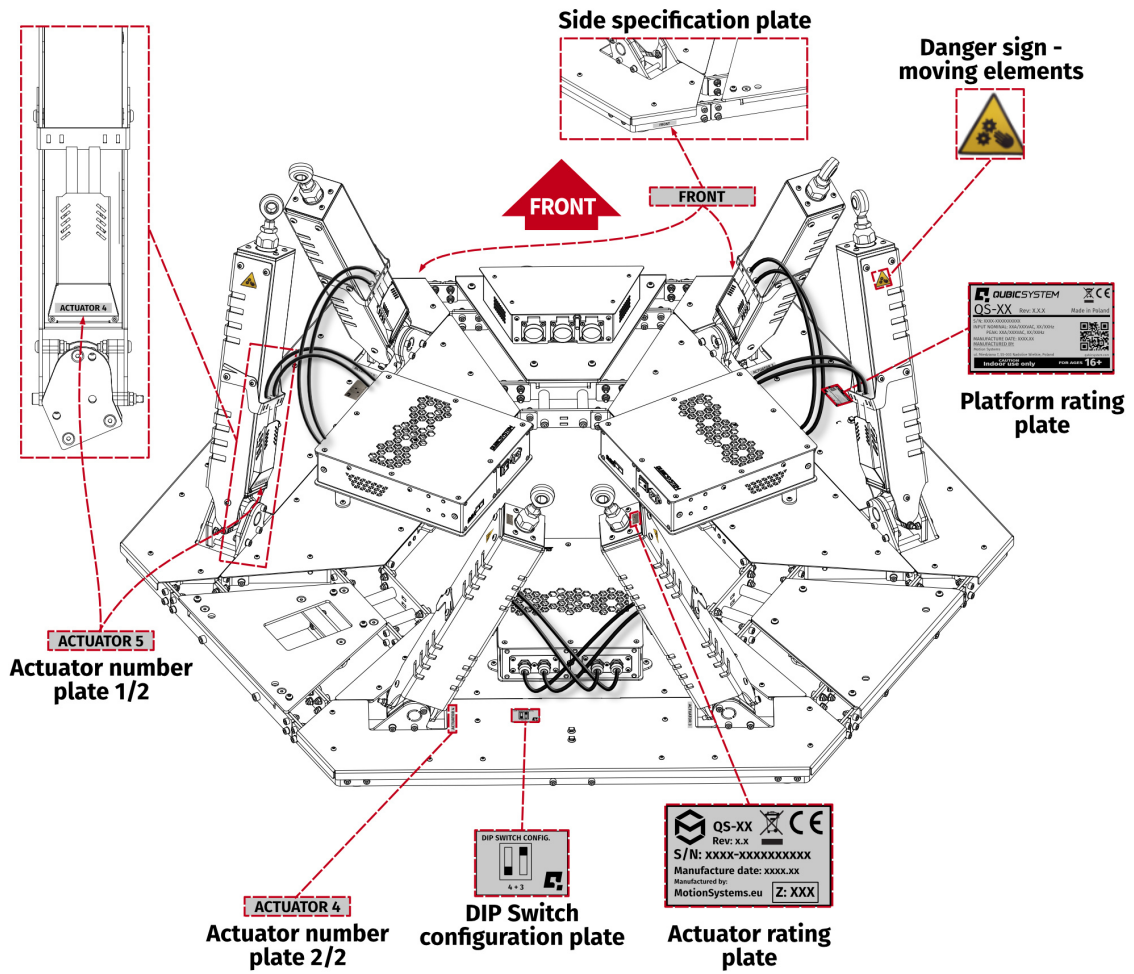


### INFO

For information on components in modularized variant go to section 3 on page 22.

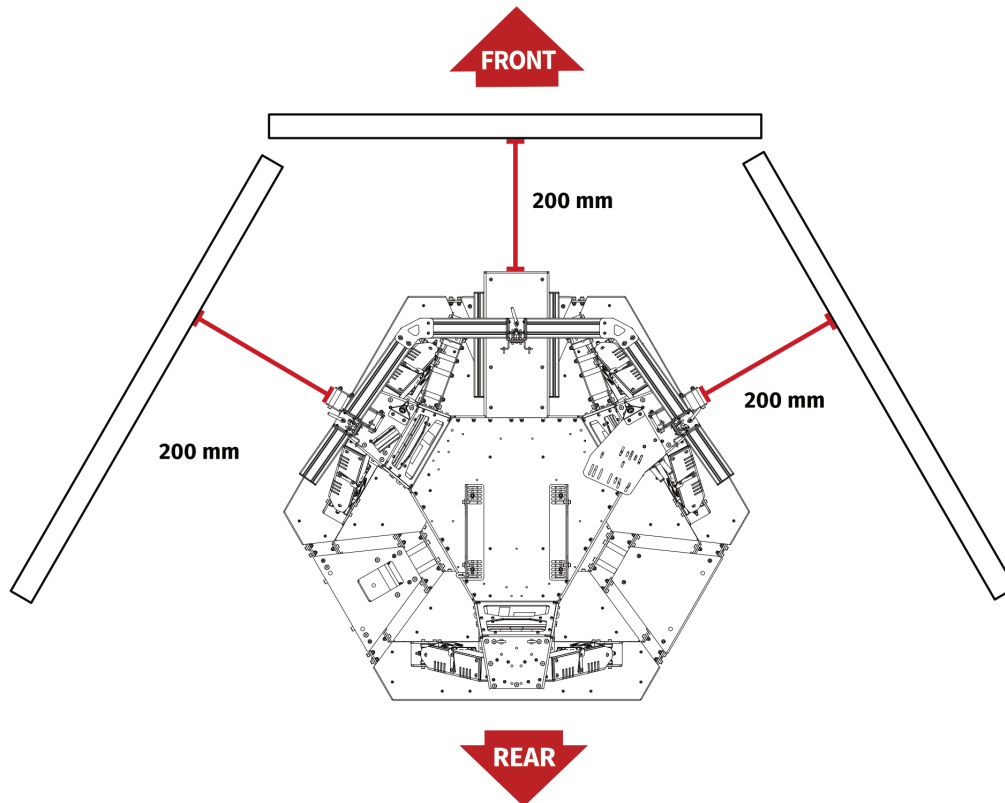


## 2.4. LABELS AND WARNING PLATES PLACEMENT



## 2.5. SAFE DISTANCES

Minimum safe distances from the QS-S25 edges are shown below:



### INFO

Keep in mind that QS-S25 might move during simulation, occasionally check if the safe distances are kept to avoid damages by QS-S25 hitting for example wall or TV screen.

To ensure that safe distance is always kept - anchor the machine to the ground. For more details go to section **Anchoring** on page **63**.

## 2.6. ENVIRONMENTAL CONDITIONS

QS-S25 shall be operated within ambient conditions as specified below:

- Only indoor use
- Temperature : 0° - 40° Celsius / 32° - 104° Fahrenheit
- Humidity : 0 - 70 % (without condensation)
- Maximum altitude : up to 2000 m / 6561 ft

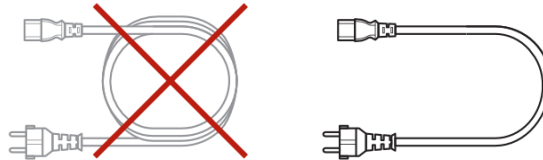
---

## 2.7. POWER REQUIREMENTS

Power Cabinet (QS-SB2) contains the power supply for connected actuators. If there is no certainty if fuses or entire electrical installation can handle QS-S25, contact qualified electrician.

### WARNING

Always **UNWIND THE CABLE COMPLETELY** when using a cable reel and untangle an extension cord before connecting the device to the power supply.



### INFO

Ensure that the extension cord used to power the QS-S25 meets cross-section requirements:

- EU - 3 x 1,5 mm<sup>2</sup>
- USA - 3 x 14 AWG

### WARNING

This device is **NOT** intended to be used in an IT earthing/grounding system.

## 2.8. POWER CONSUMPTION

Tables below contain power consumption data on Performance mode (Q-MODE is unavailable for QS-S25).

Voltage - 230V:

Converter specification		Breaker specification	Power consumption	
Average Power [kVA]	Peak Power [kVA]	Peak Current [A]	Average Power (stress test) [kW]	Average Power (typical game) [kW]
1,3	2,4	11	0,46	0,20

Voltage - 110V:

Converter specification		Breaker specification	Power consumption	
Average Power [kVA]	Peak Power [kVA]	Peak Current [A]	Average Power (stress test) [kW]	Average Power (typical game) [kW]
0.9	1.5	13	0.45	0.24

Be aware that with heavier payload, and/or more intensive simulation, average Power consumption may rise.

## 2.9. GROUNDING REQUIREMENTS

In case of a system malfunction or breakdown, grounding provides a path of the least resistance for electric current to reduce the risk of electric shock. If the location (where the QS-S25 is set up) can not provide proper grounding according to the description, please contact a qualified electrician for assistance.

**DO NOT** modify the plug provided with the power cord - if it does not fit the outlet, contact a qualified electrician for assistance.

### WARNING

The device is **NOT** intended to be used in an IT earthing/grounding system.

### INFO

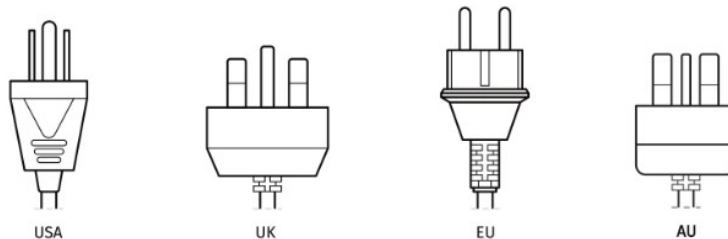
Use only high-quality power plug adapters purchased from a trusted supplier.

## WARNING

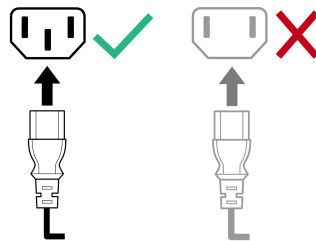
The power supply for QS-S25 includes an electric cord with an equipment-grounding conductor and a grounding plug. The plug must be plugged into a matching socket that is correctly installed and grounded in accordance with appropriate local codes and ordinances. It is recommended to use multiple, separately fused wall sockets.

If your electrical installation does not provide you with that option look into other electrical safety protection systems in section 7.3.2 on page 86.

### Applicable plugs for different regions:



Check if the power cord plug has a grounding connection (3 pins). In order to reduce risk of electric shock **DO NOT** use a plug without grounding connection (without a center pin).

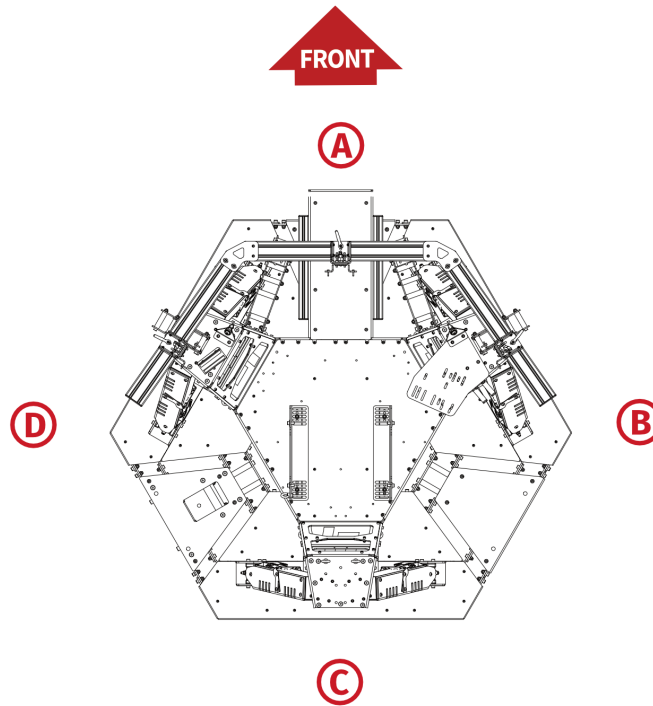


## INFO

For more details on connecting Power cords and grounding wiring, see section **Connecting power cords** on page 68.

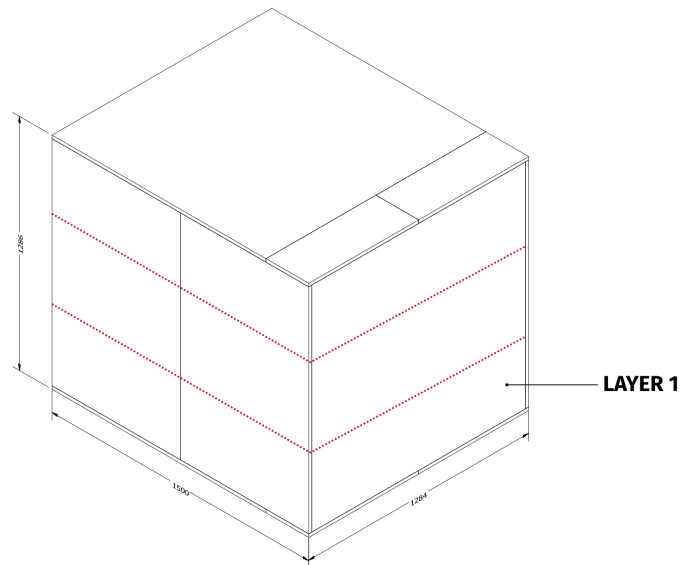
## 2.10. NOISE EMISSION

The QS-S25 was checked for noise level based on actual standards. Noise level during normal work condition is not over 80 dB. Measuring method is compliant with ISO 11202. Four measuring positions as shown on the picture are placed 160 cm from the floor level and 100 cm from the edge of the device.

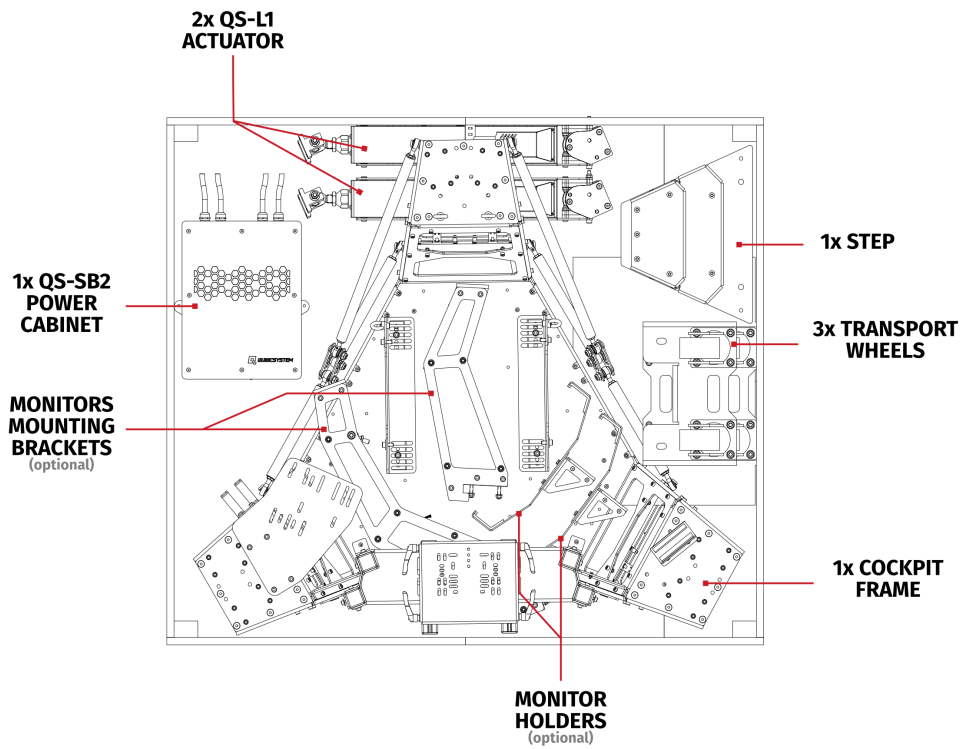


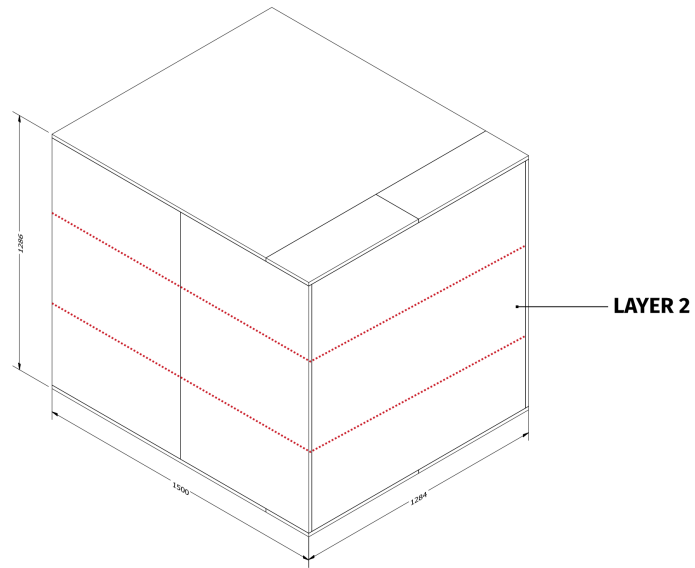
Measurement point	A	B	C	D
<b>Measurement conditions:</b> <ul style="list-style-type: none"> <li>■ Sinus input signal</li> <li>■ Auto acceleration</li> <li>■ 100% speed</li> <li>■ Heave 50 mm</li> <li>■ 0,9 Hz frequency</li> <li>■ 250 kg ballast load</li> </ul>	60,7 dB(A)	63,4 dB(A)	62,9 dB(A)	63,2 dB(A)
<ul style="list-style-type: none"> <li>■ Typical game</li> <li>■ 250 kg ballast load</li> </ul>	53,9 dB(A)	56,8 dB(A)	57,8 dB(A)	58,6 dB(A)

### 3. QS-S25 MODULARIZED ASSEMBLY

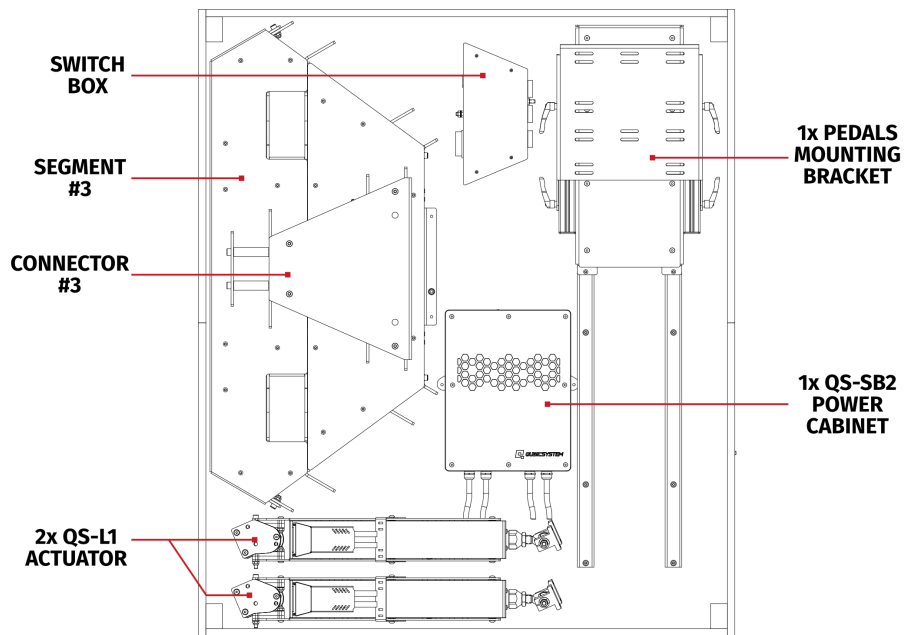


#### LAYER 1

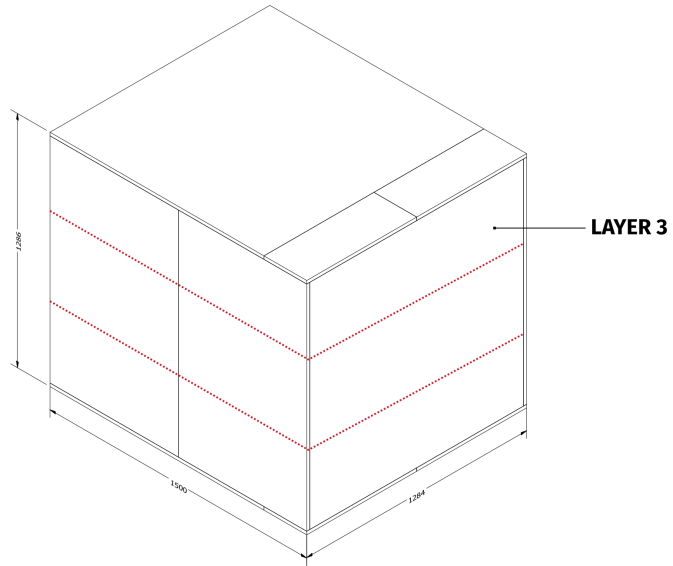




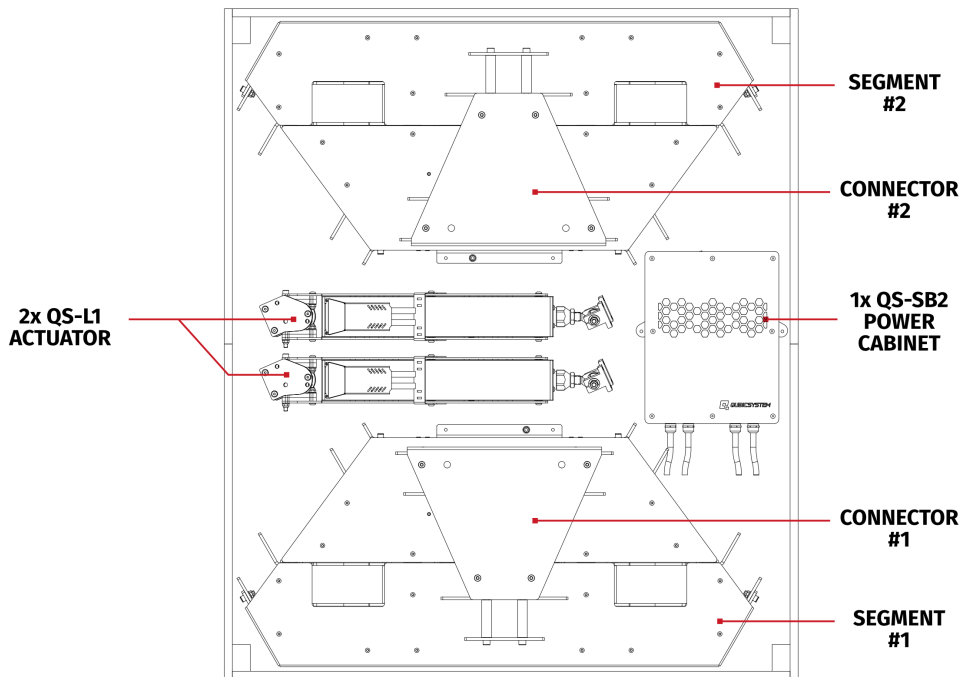
## LAYER 2







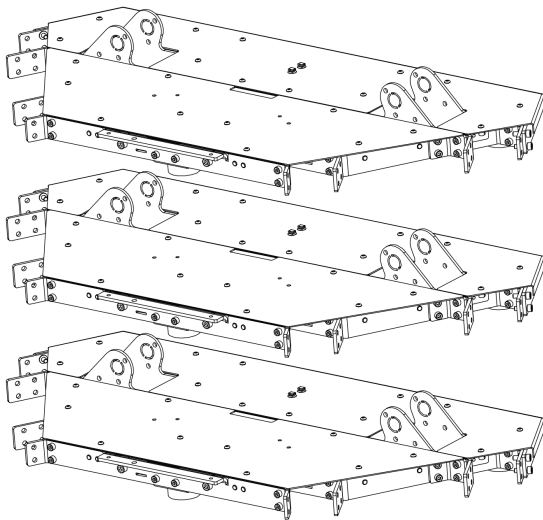
### LAYER 3



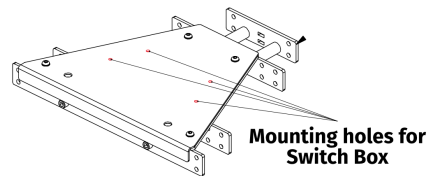
### 3.1. LOWER FRAME ASSEMBLY

Operation	Tools
Unpack the segments and connectors. Front side connector has additional holes for mounting power switch box.	by hand

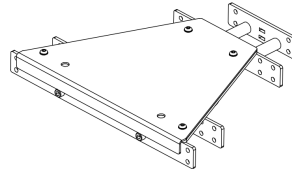
**3 x Segment**



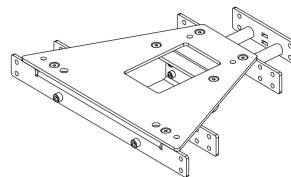
**1 x Front connector**



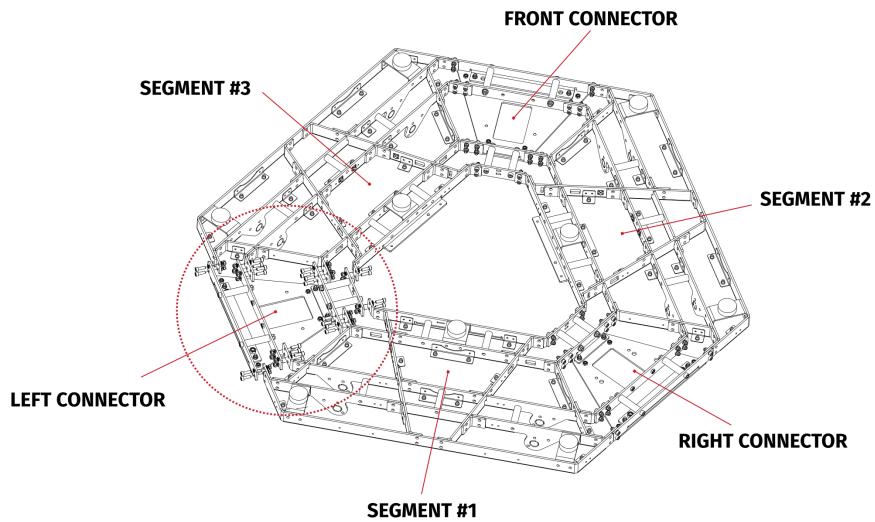
**1 x Right connector**



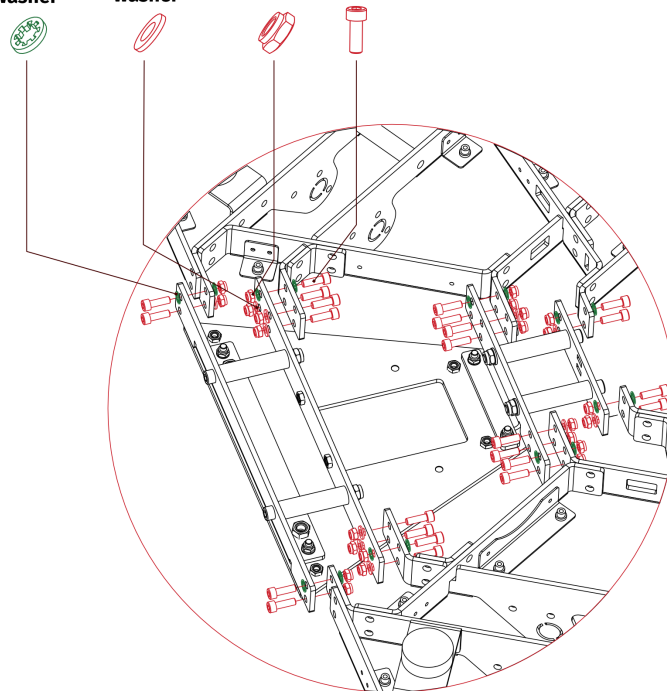
**1 x Left connector**



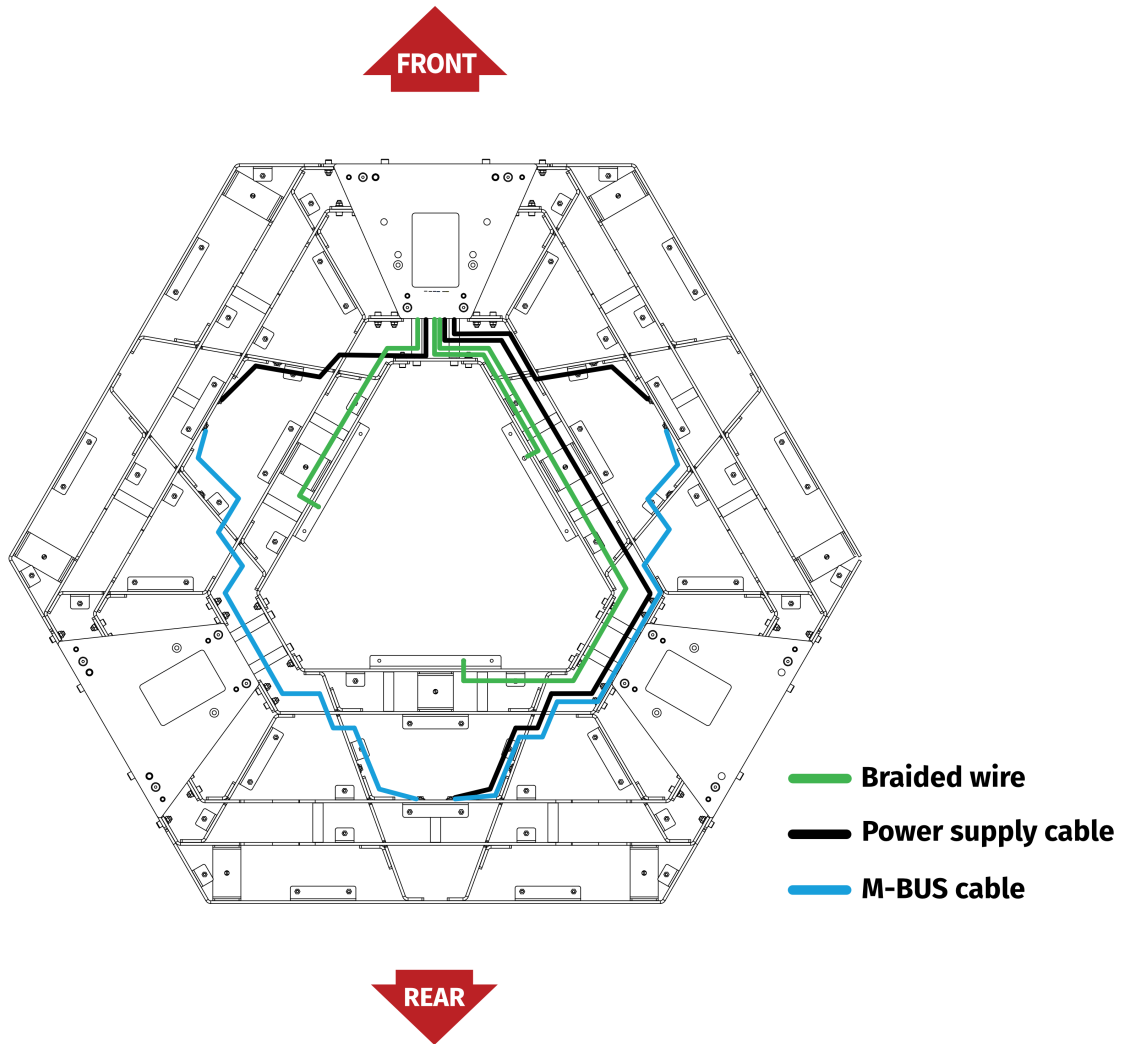
Operation	Tools
Turn the connectors and segments upside down, connect the segments with connectors using bolts, nuts and washers as shown on the illustration.	6 mm hex key, 13 mm socket wrench



- 16x**  
DIN 6797 J 8,4  
toothed  
washer
- 16x**  
DIN 125  
A 8,4  
washer
- 24x**  
DIN 985  
M8 nut
- 24x**  
DIN 912  
M8x25

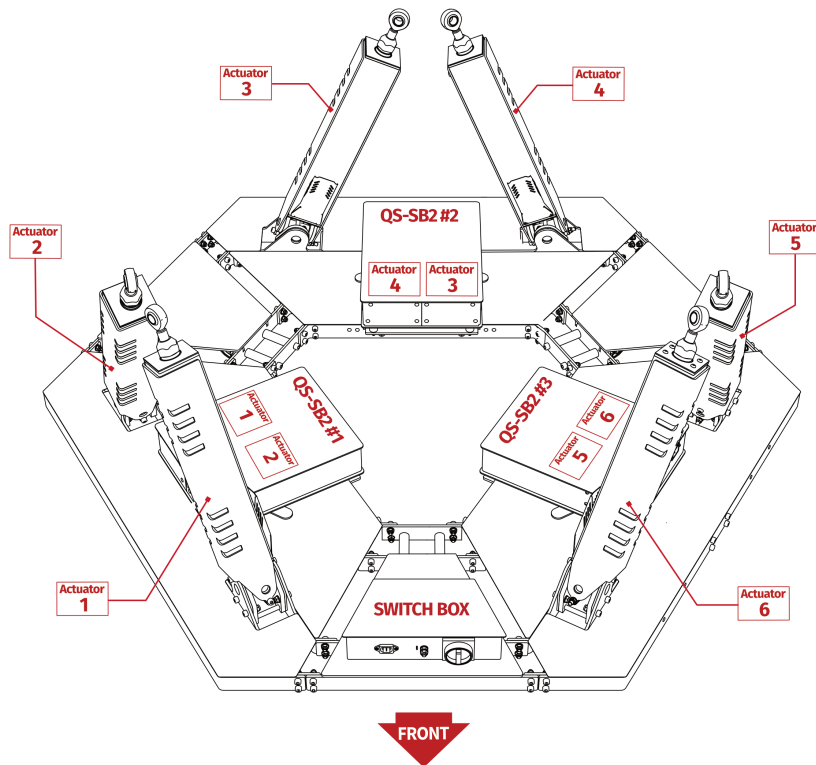


Operation	Tools
<p>Lay down the braided wires (grounding connections), M-BUS cables, power supply cables as shown on the illustration. Cables will be connected to the power cabinets later on. Braided wires shall be connected to the switch box, power cabinets and cockpit frame.</p>	<p>by hand</p>

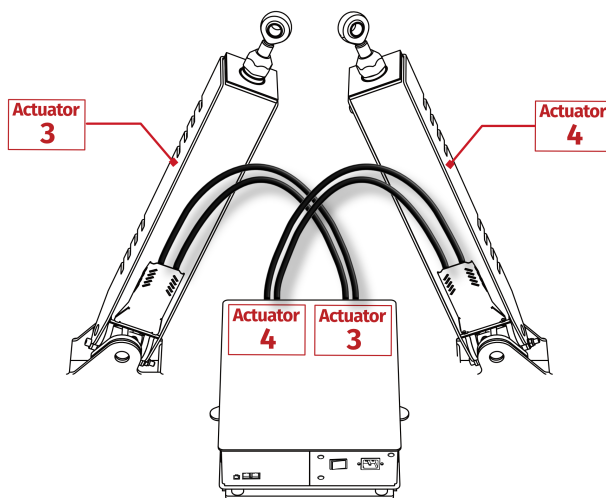


### 3.2. MOUNTING ACTUATORS AND POWER CABINETS

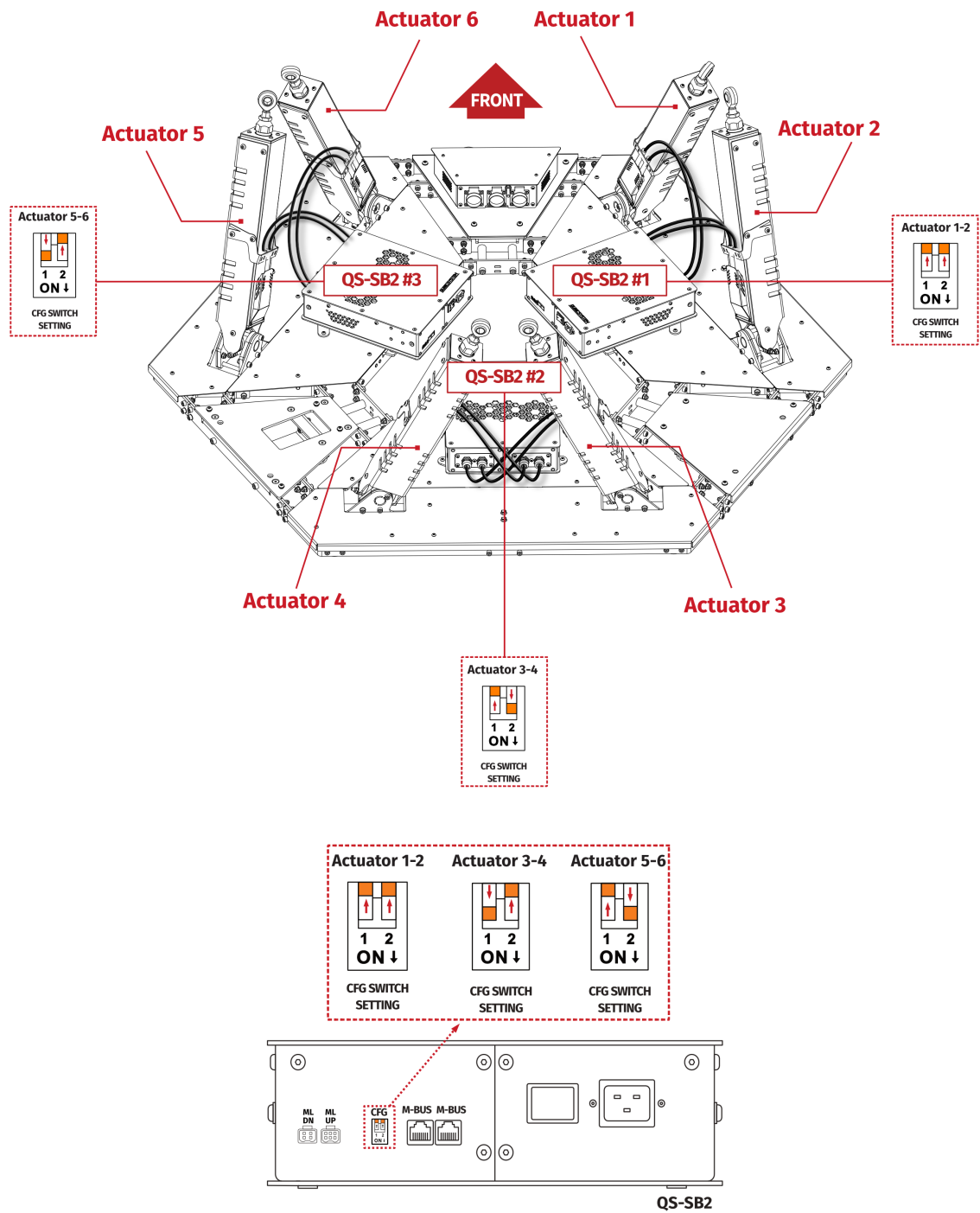
Operation	Tools
Place the power cabinets and actuators according to the layout shown below.	by hand



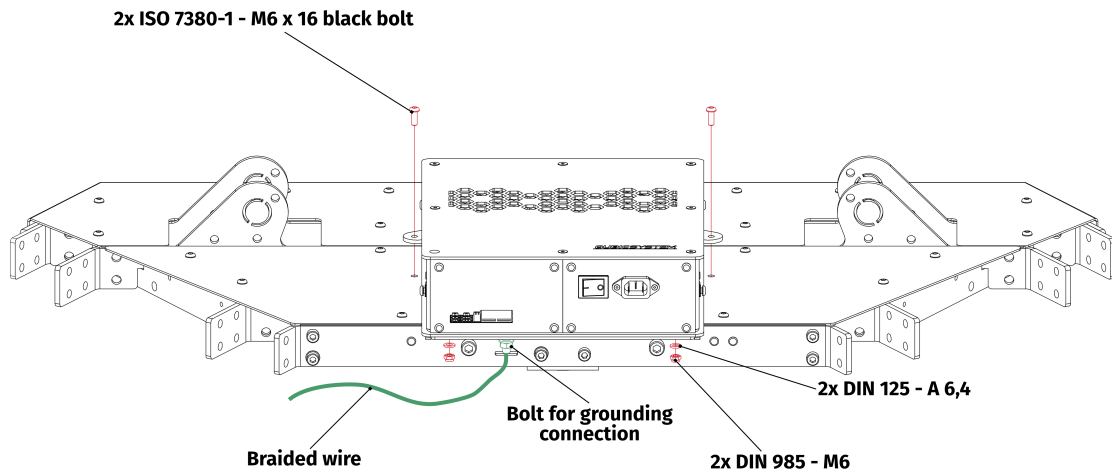
Place the actuators as shown on the layout. Power supply and control cables from power cabinet to the actuator should cross each other.



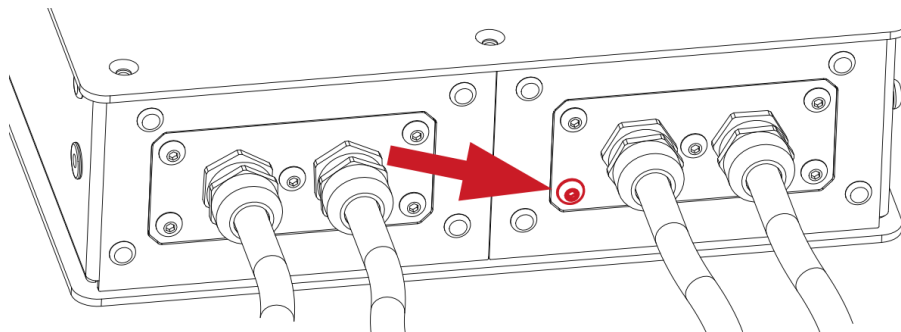
Operation	Tools
Configure the CFG switches according to the actuators layout.	by hand



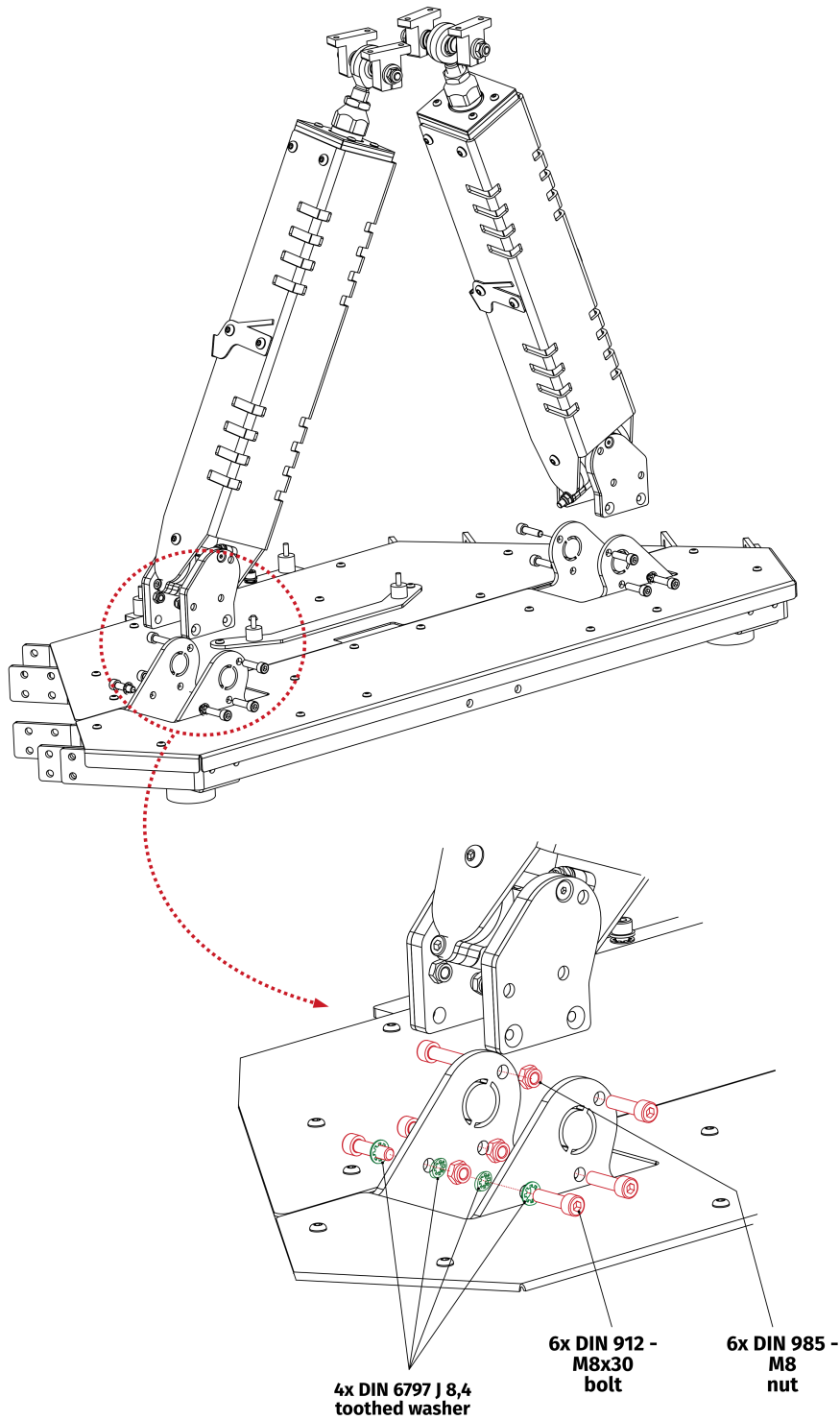
Operation	Tools
Bolt in the power cabinets with segments. Power cabinets has attached mounting brackets with vibro-isolators, place them on the segment and screw in using bolts and nuts for the connection.	5mm hex key, 10mm socket wrench



Operation	Tools
Unbolt the marked bolt, connect and screw in the short braided wire from the backside grounding connection bolt.	5mm hex key



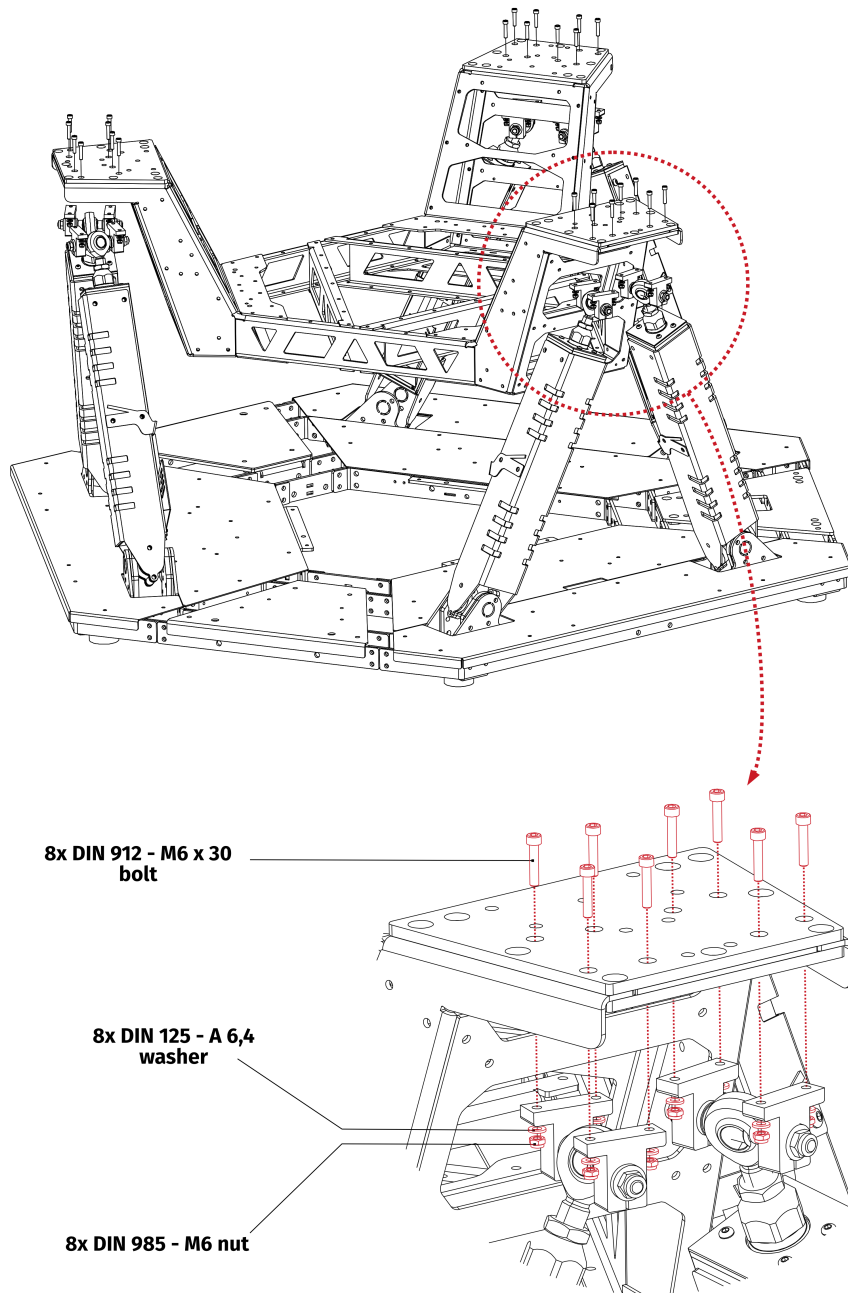
Operation	Tools
Connect the actuators with the base frame segments.	6mm hex key, 13mm socket wrench



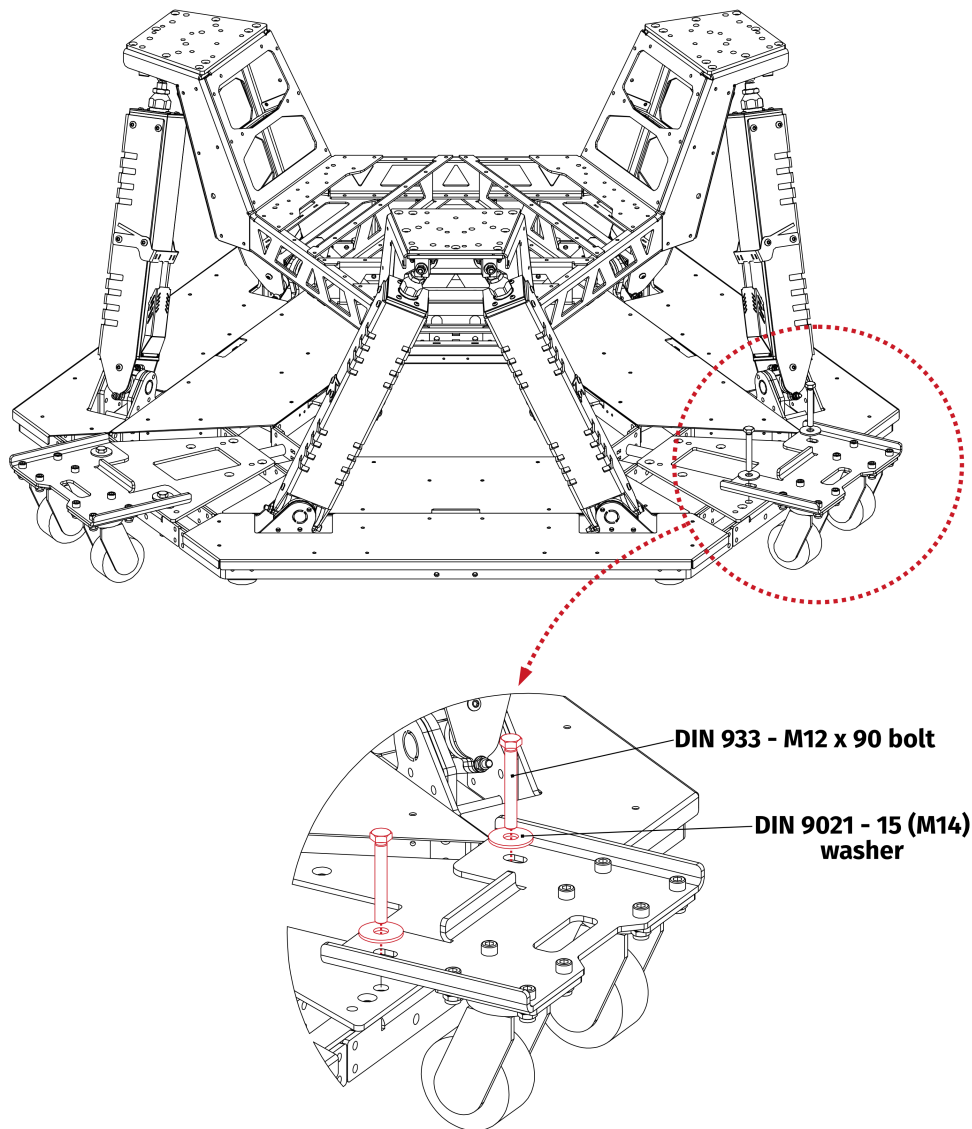


### 3.3. MOUNTING COCKPIT FRAME

Operation	Tools
Connect the actuators with the cockpit frame.	5mm hex key, 10mm socket wrench



Operation	Tools
<p><b>Optional</b> - connect the wheels to the lower frame segments in order to move the device to the designated location.</p>	<p>19mm socket</p>

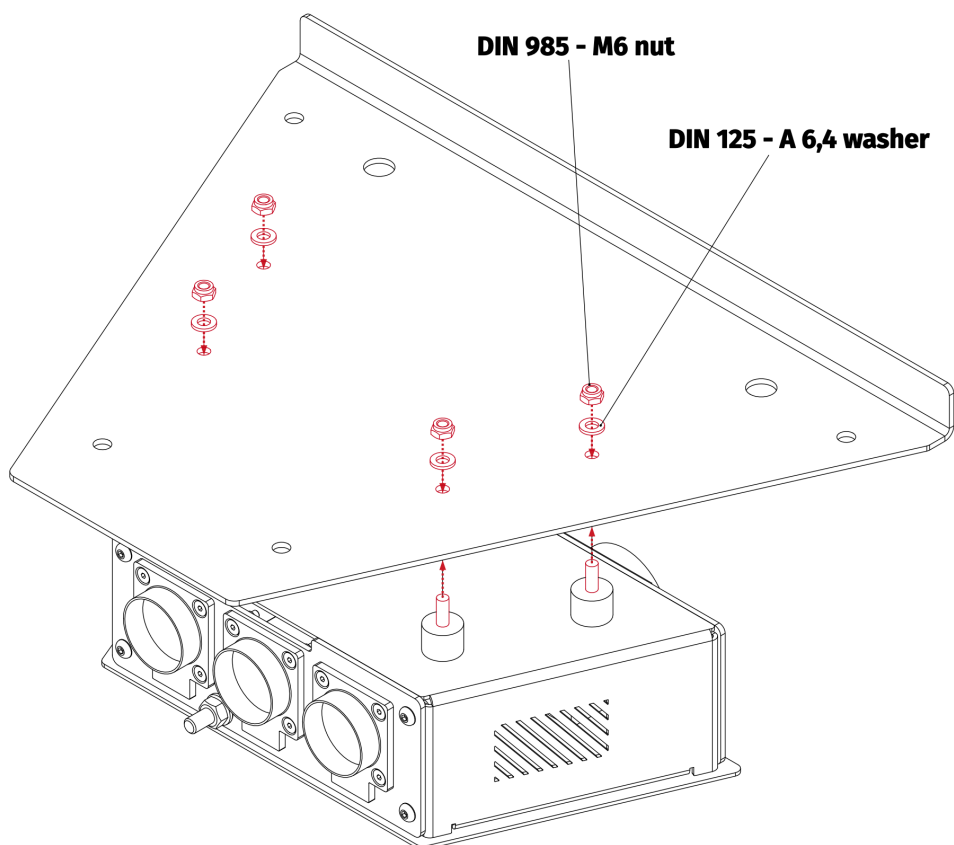


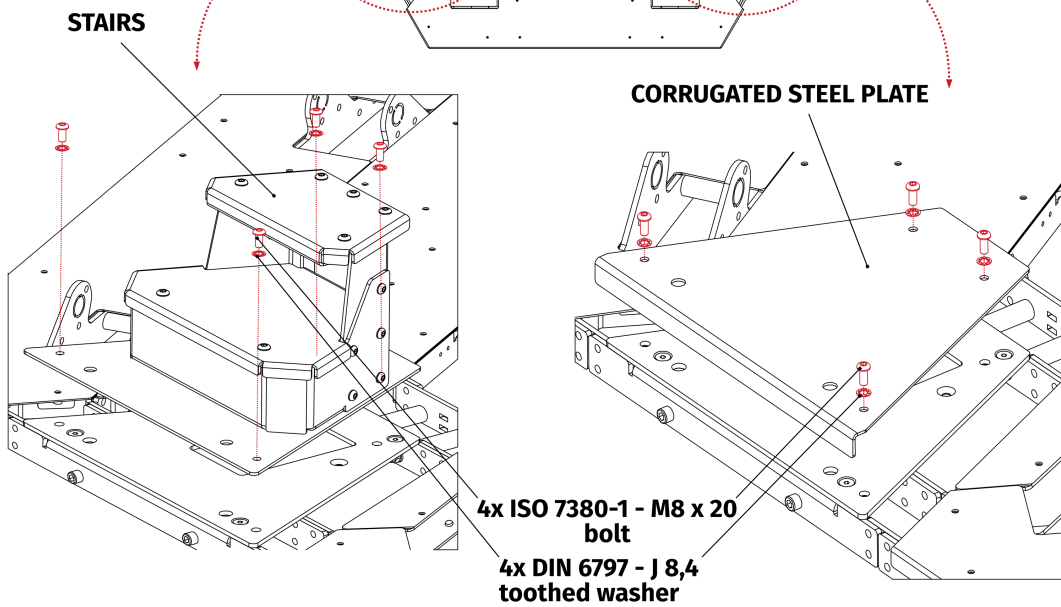
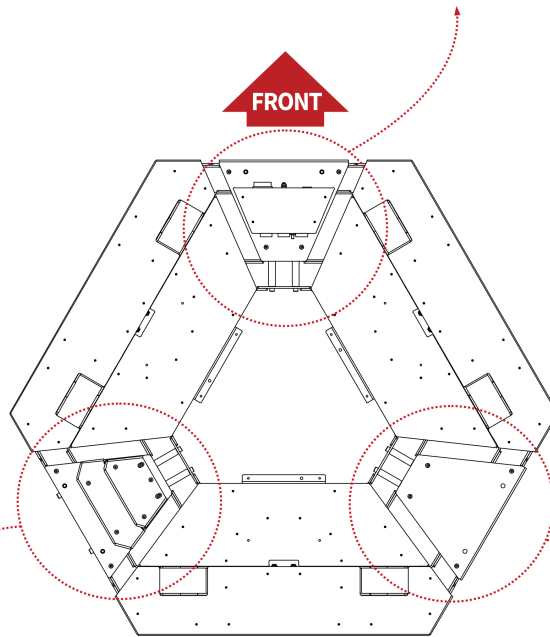
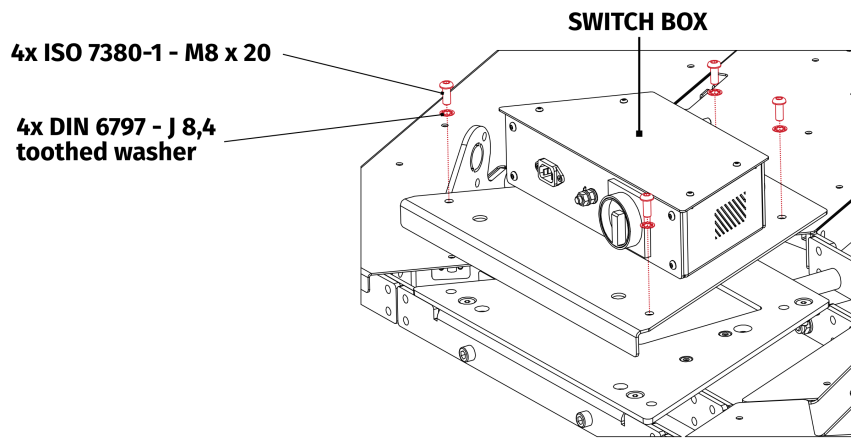
**WARNING**

Do not use the device with attached transportation wheels. Wheels shall be attached only for transportation purposes.

### 3.4. MOUNTING LOWER FRAME ACCESSORIES

Operation	Tools
Connect the switch box, stairs and steel plate with lower frame connectors.	5mm hex key, 10mm socket wrench





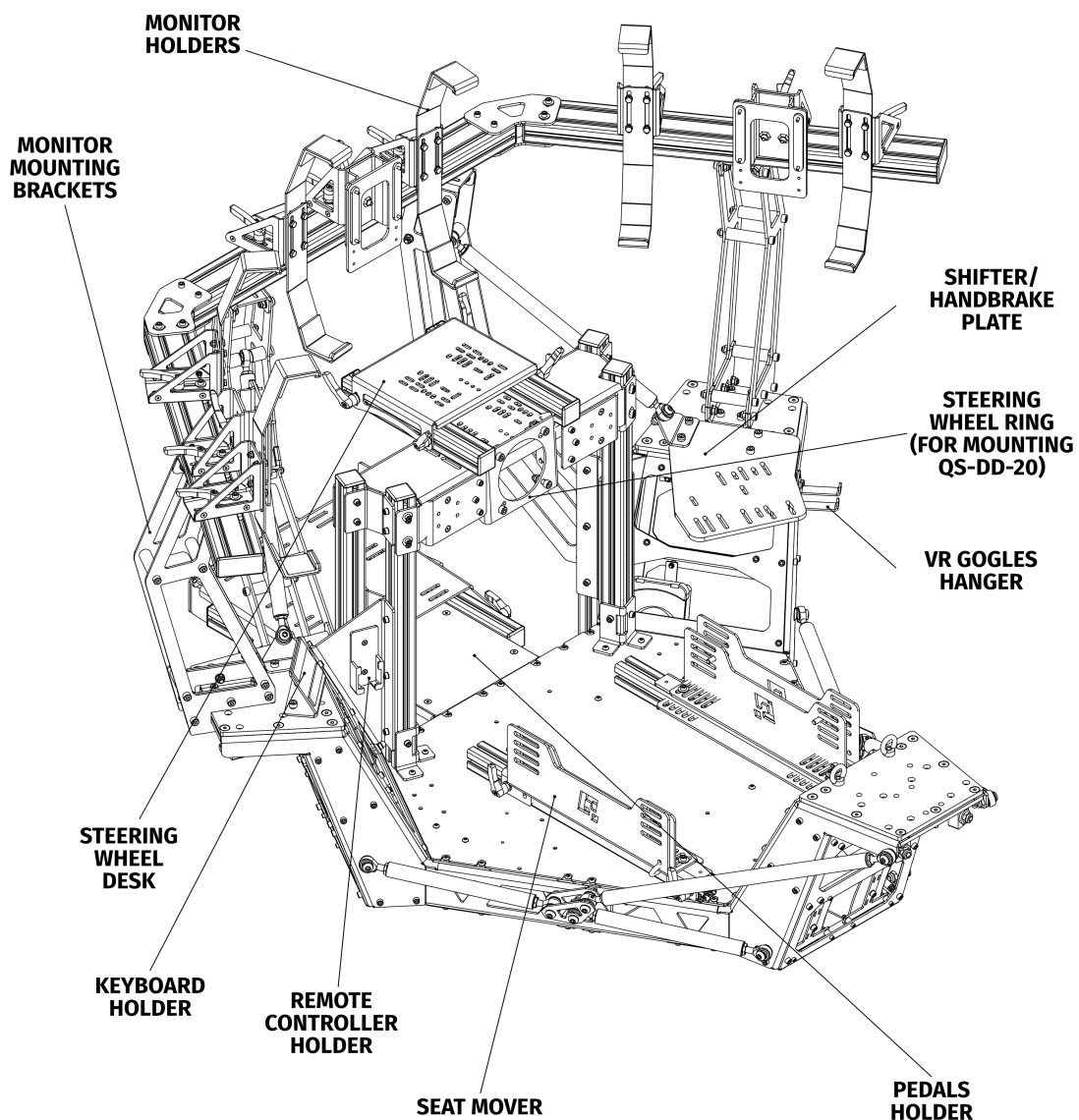
---

### 3.5. MOUNTING COCKPIT ACCESSORIES

#### INFO

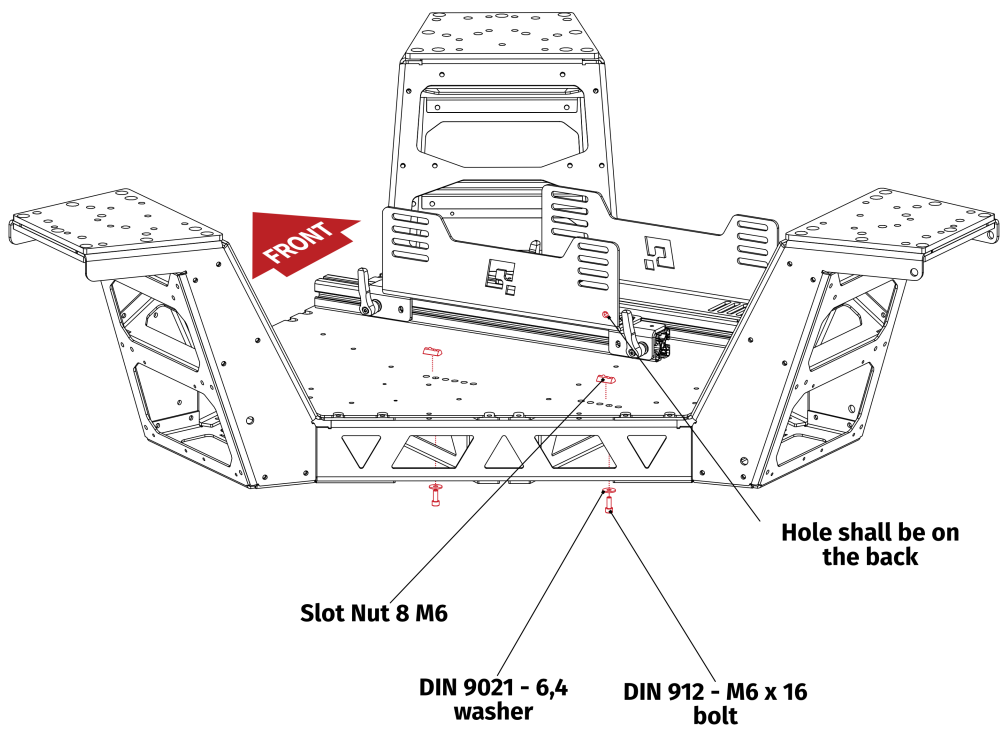
Before mounting cockpit accessories power-up the device and check if the pitch and roll movements are correct. Run QubicManager → Tools and Diagnostic → Platform Diagnostic and check correctness of the movements. If any of the movement is incorrect then the actuators were installed in the wrong place.

#### Cockpit accessories overview :



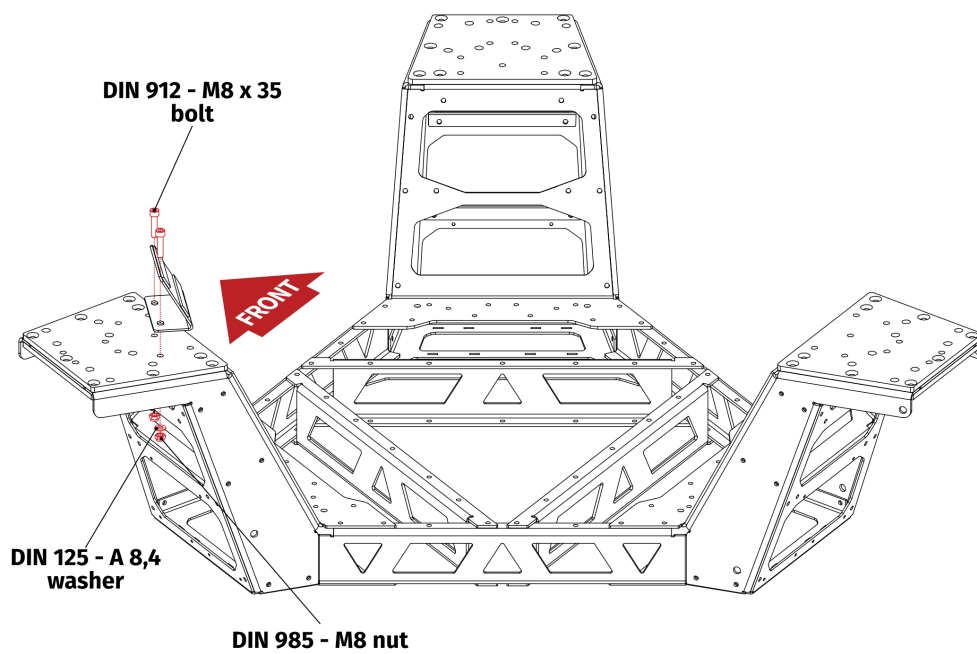
### 3.5.1 SEAT MOVER

Operation	Tools
Connect the seat mover with cockpit. Slide in slot nuts into the seat mover railings and screw it in from below of the frame.	5mm hex key



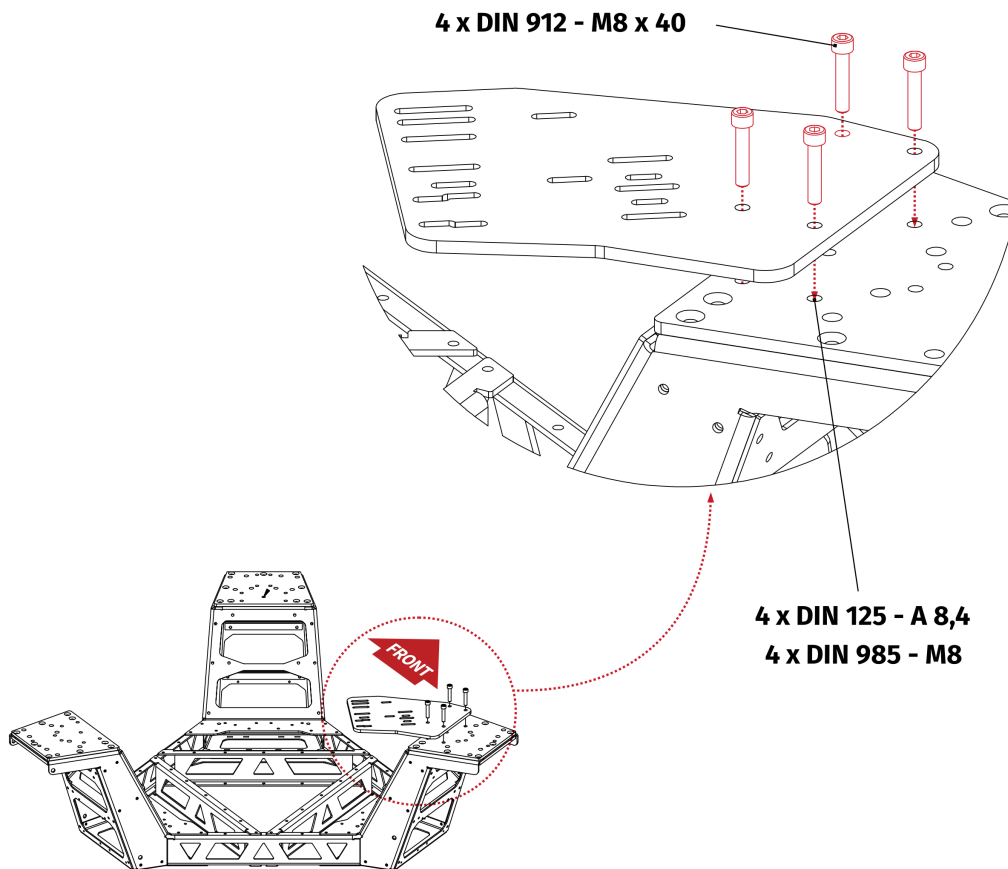
### 3.5.2 KEYBOARD HOLDER

Operation	Tools
Connect the keyboard holder with the cockpit frame.	6mm hex key, 13mm socket wrench



### 3.5.3 SHIFTER/HANDBRAKE PLATE

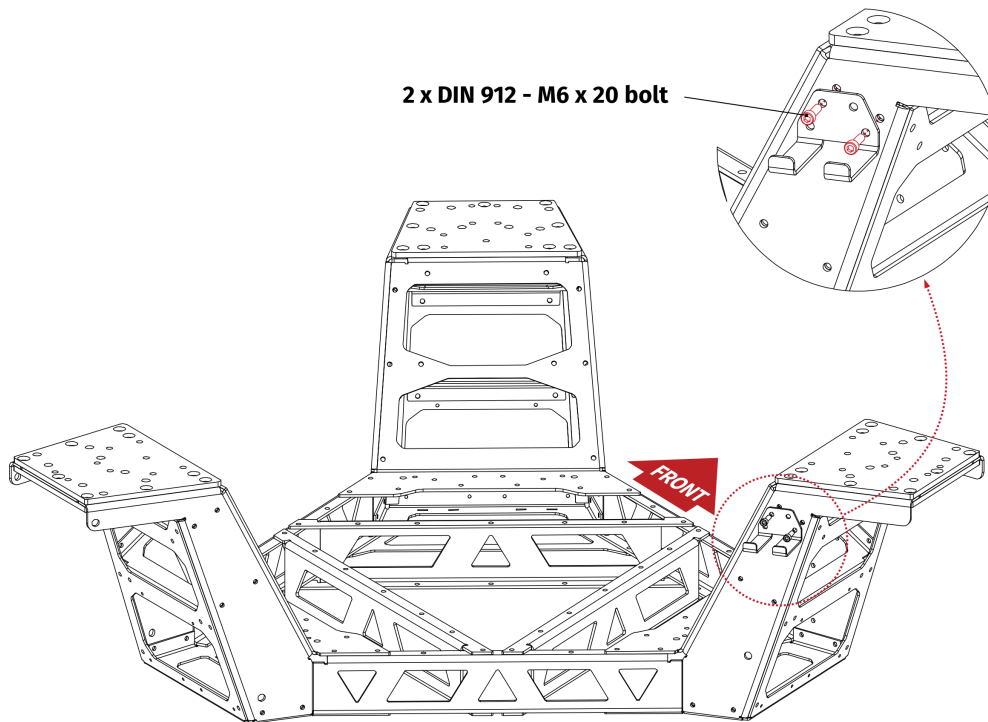
Operation	Tools
Connect the shifter/handbrake plate with the cockpit frame.	6mm hex key, 13mm socket wrench





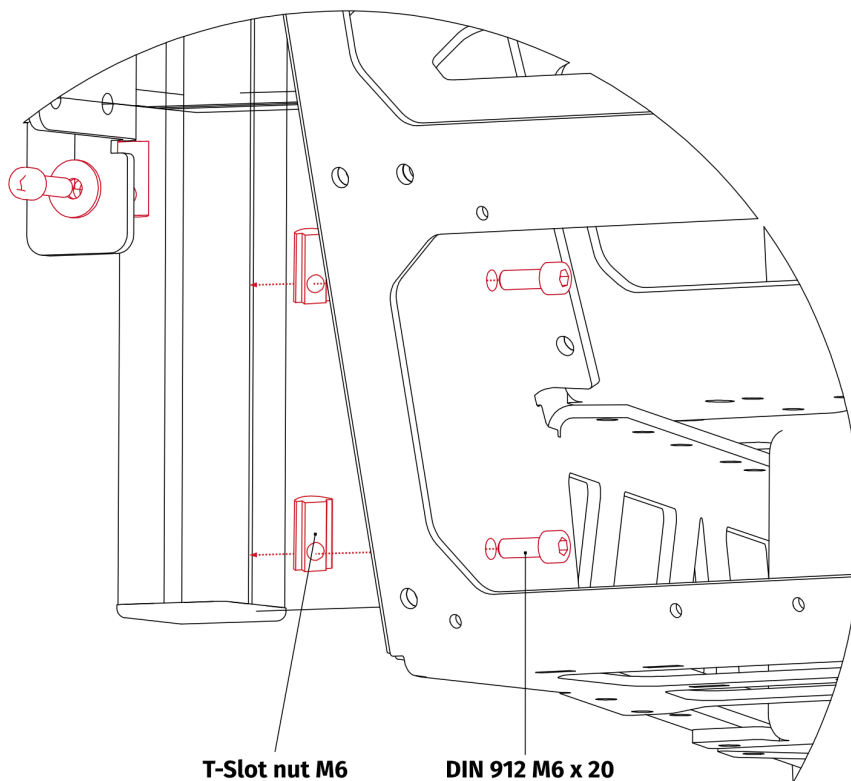
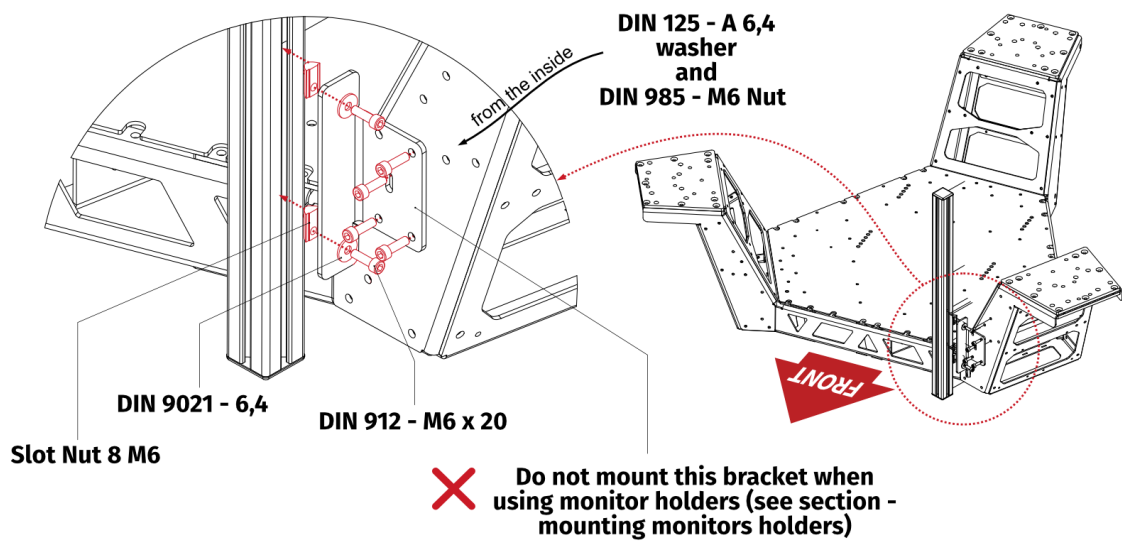
### 3.5.4 VR GOGGLES HANGER

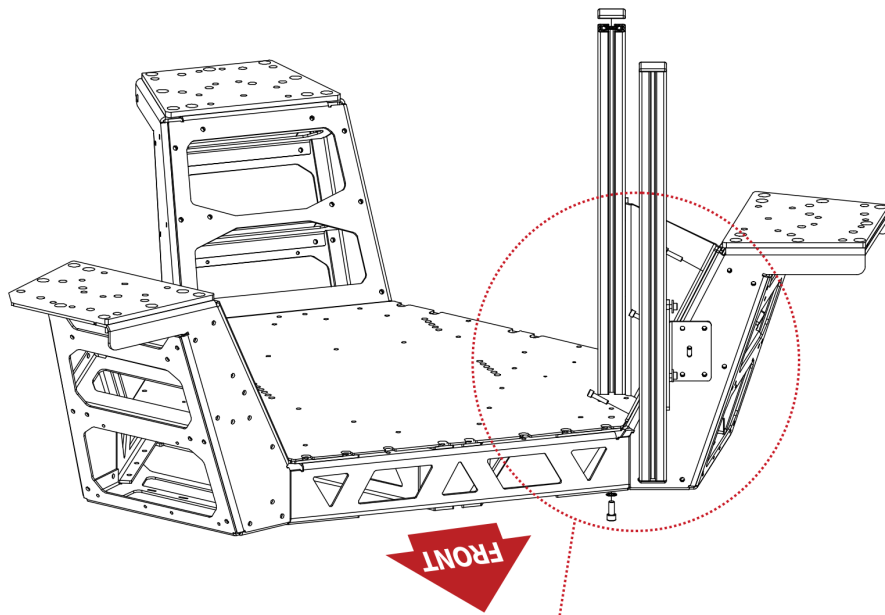
Operation	Tools
Connect the VR goggles hanger with the cockpit frame.	5mm hex key



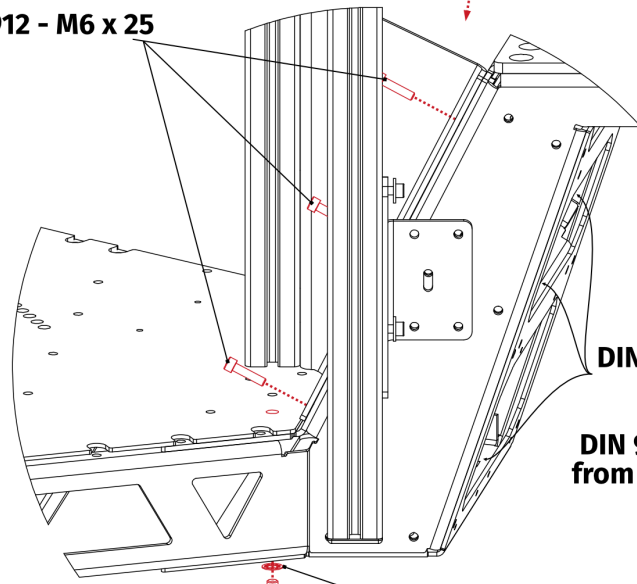
### 3.5.5 STEERING WHEEL DESK

Operation	Tools
Assemble the steering wheel desk as shown on the illustrations. Do not mount the additional bracket if you wish to install the monitor holders.	4, 5, 6mm hex key





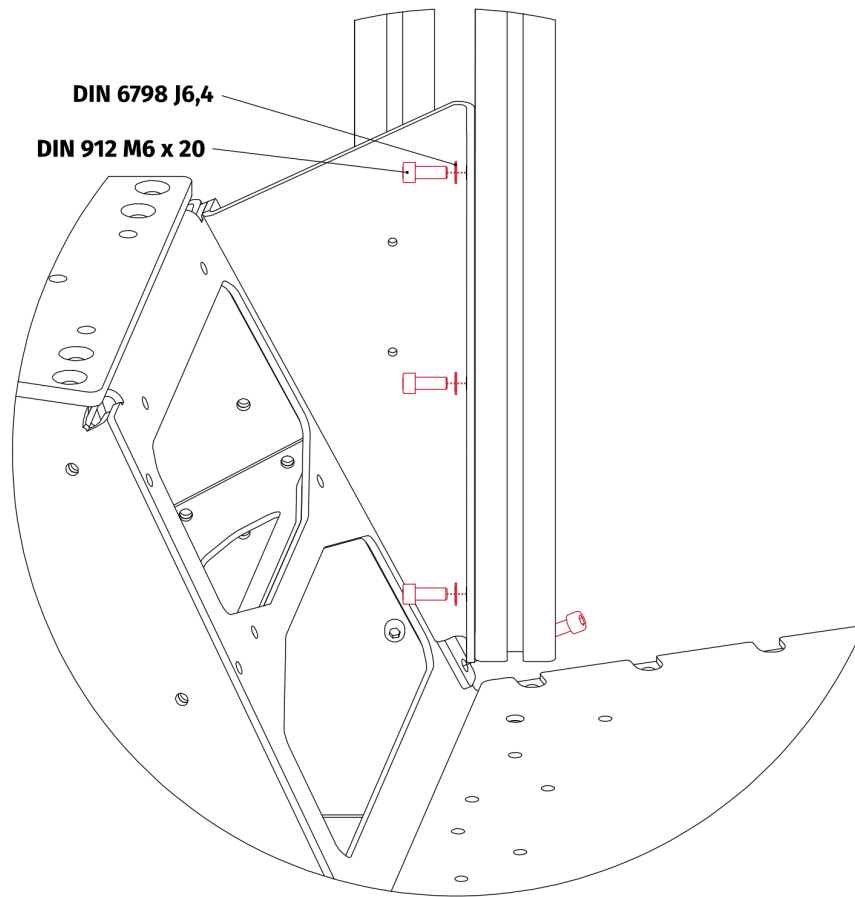
**DIN 912 - M6 x 25**

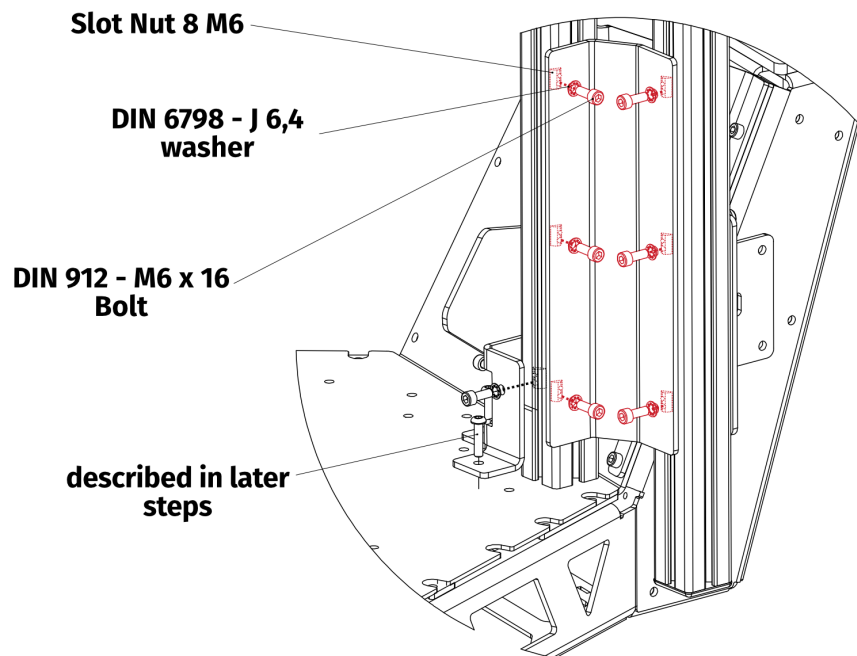
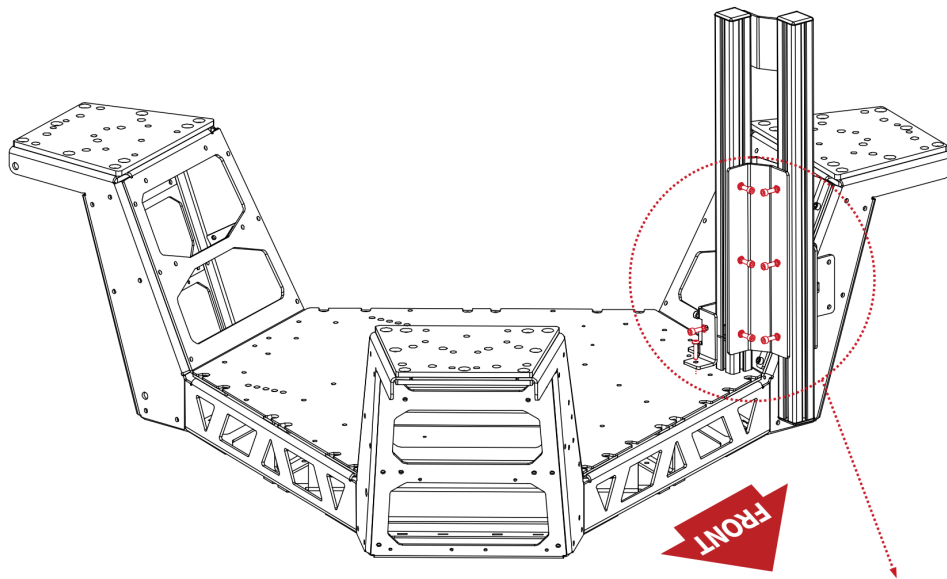


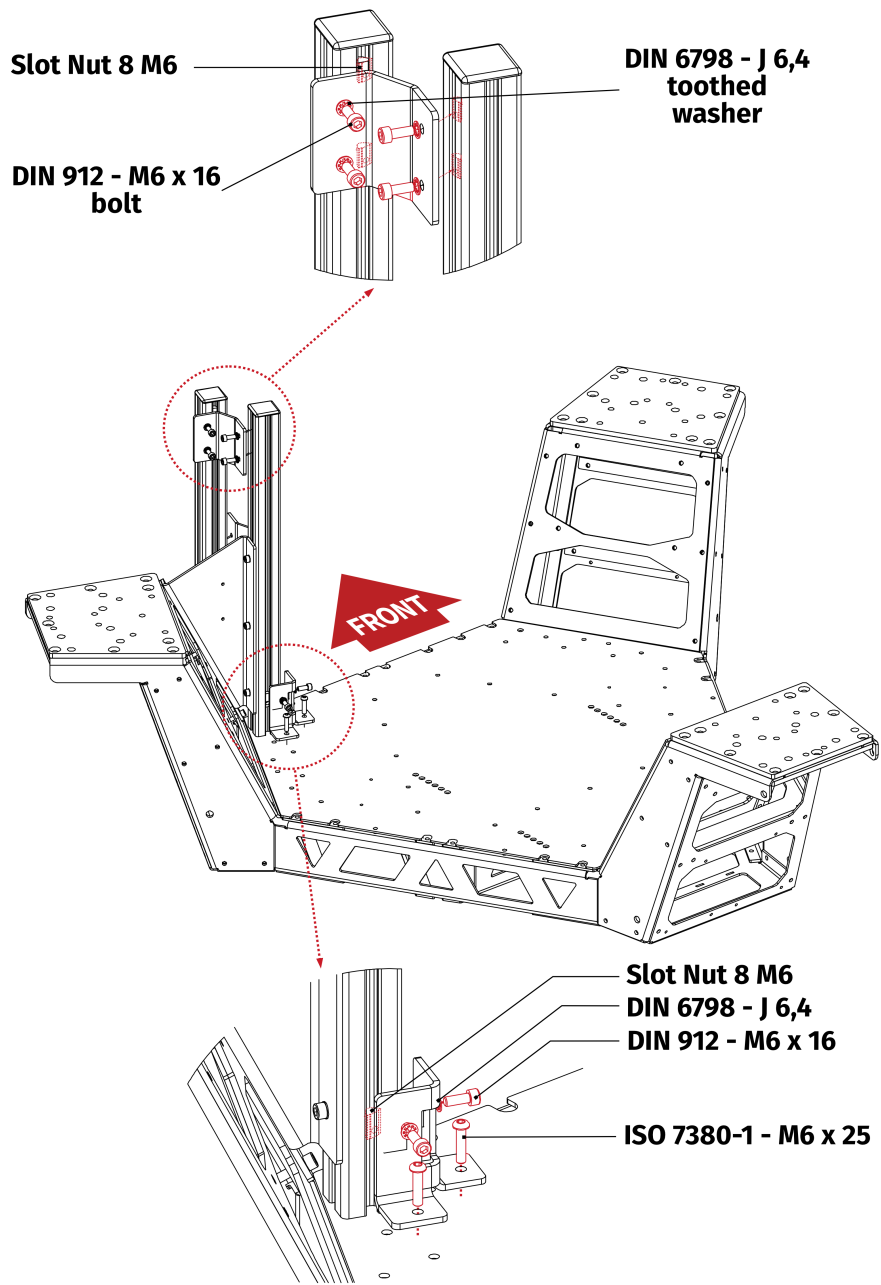
**DIN 125 - A 6,4  
washer  
and  
DIN 985 - M6 Nut  
from the platform**

**DIN 6798 - J 8,4**

**DIN 912 - M8 x 20**

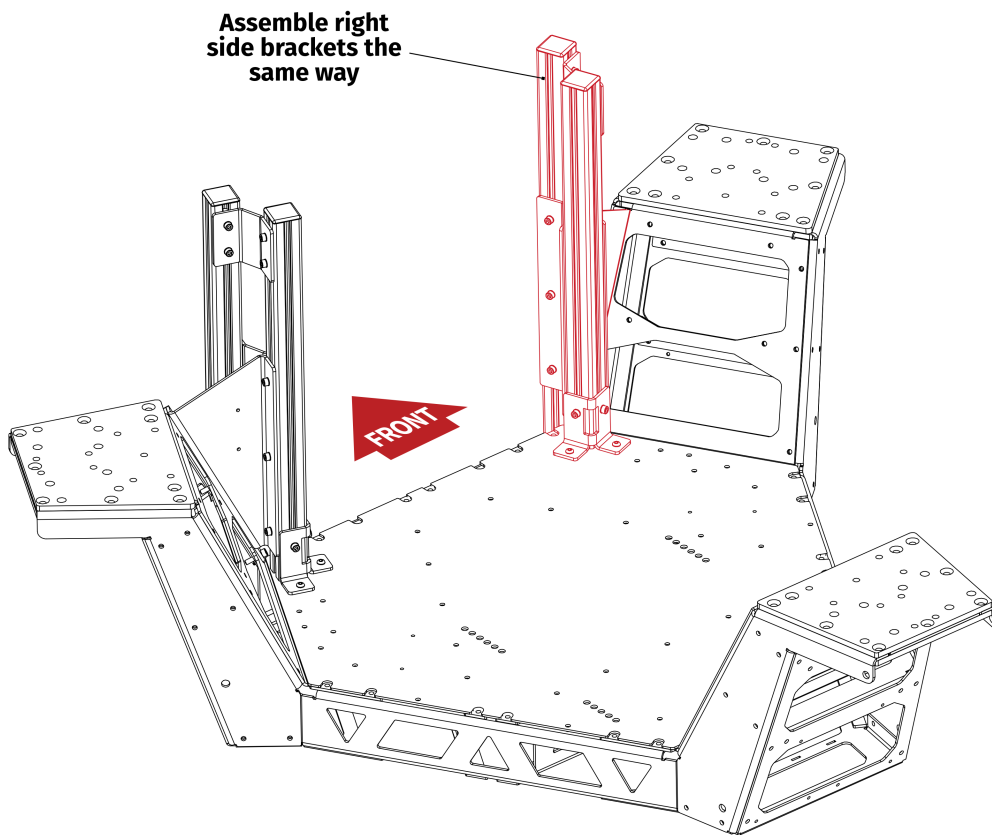




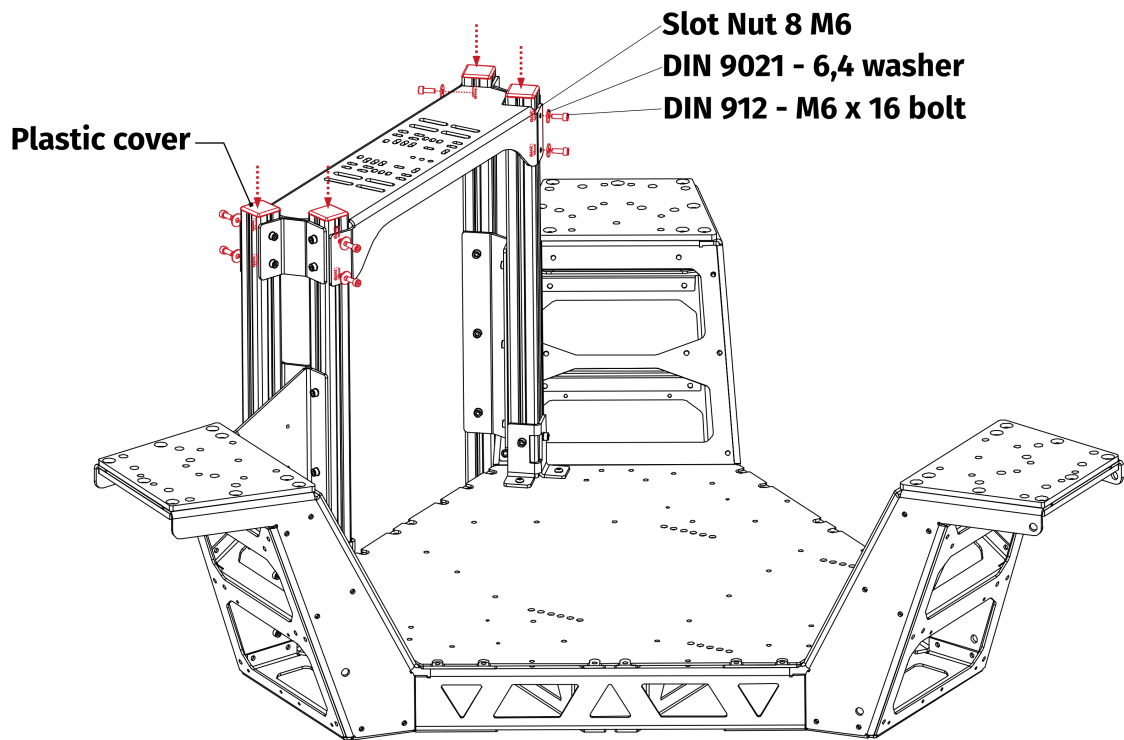


---

Operation	Tools
Connect right side bracket the same way as the left one.	4, 5, 6mm hex key



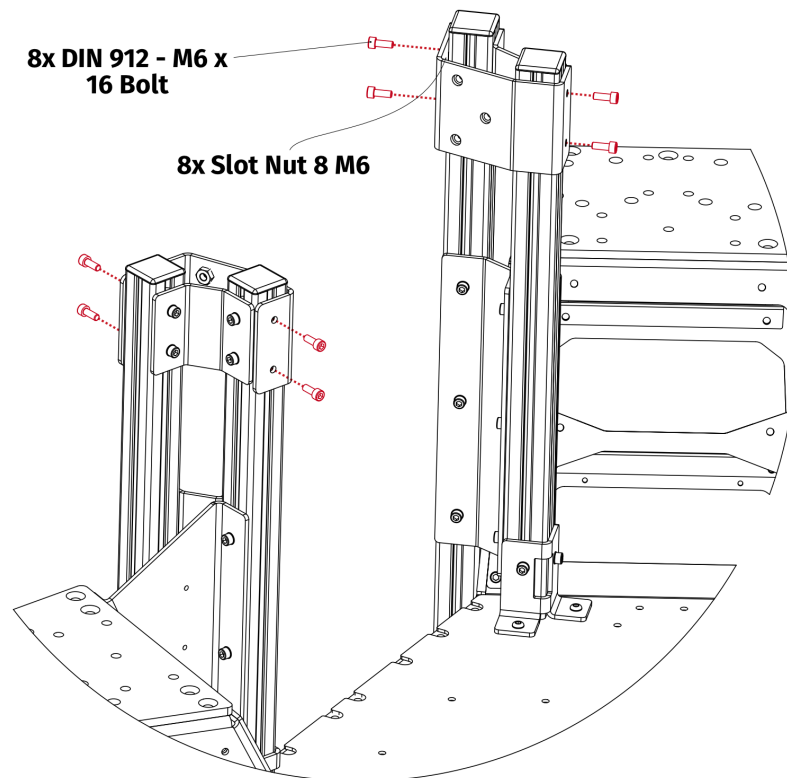
Operation	Tools
Put in the plastic endings on the brackets. Connect the steering wheel desk to the side brackets.	5mm hex key

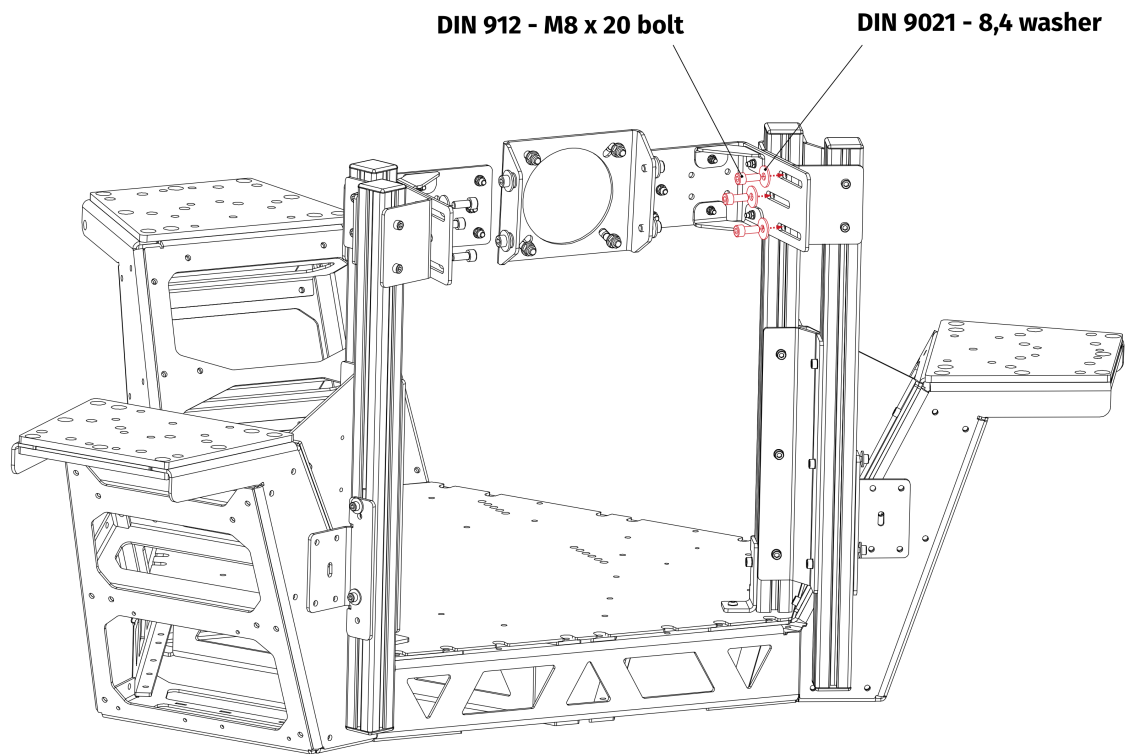




### 3.5.6 STEERING WHEEL BRACKET

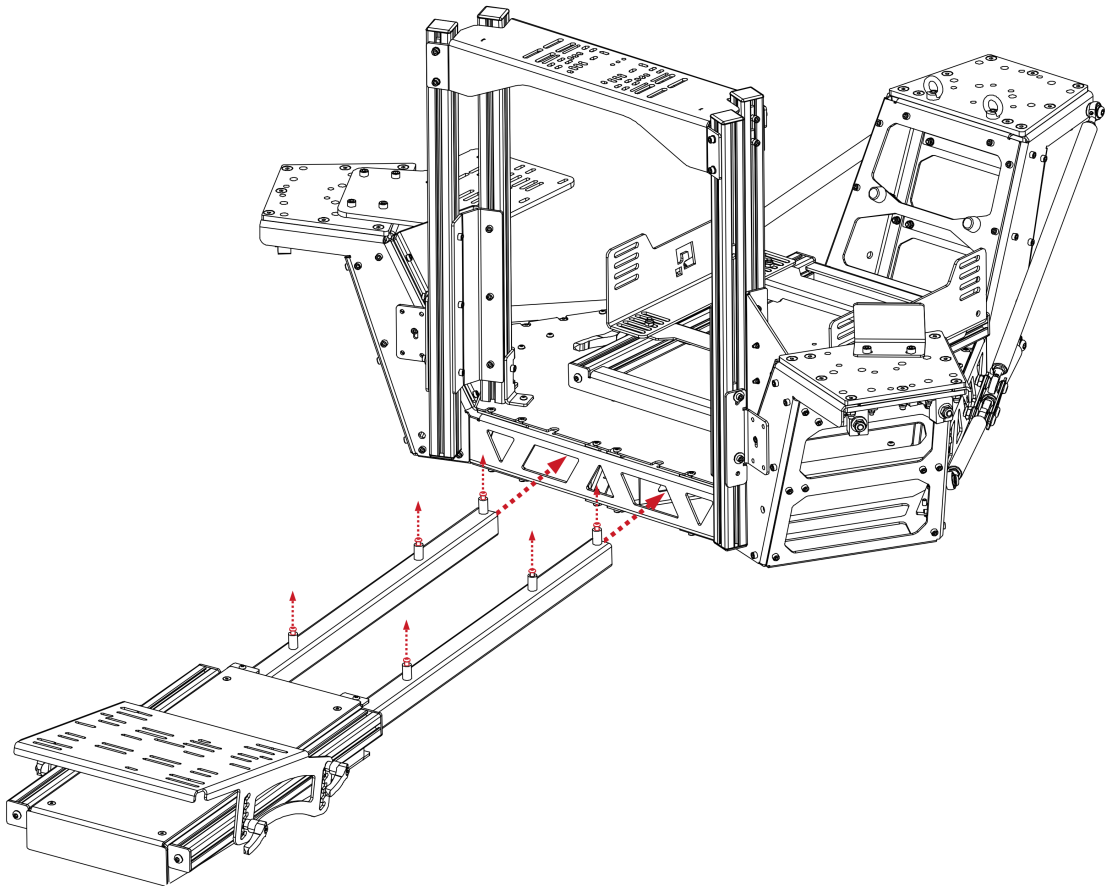
Operation	Tools
<b>Optional</b> Install the direct drive mounting bracket.	5, 6mm hex key



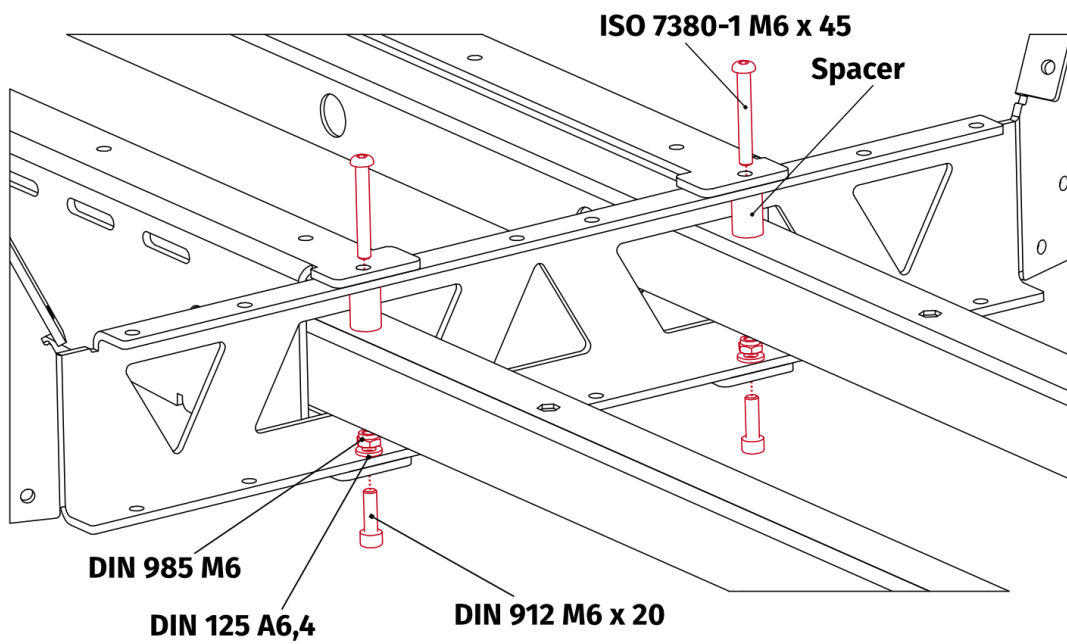


### 3.5.7 PEDALS BRACKET

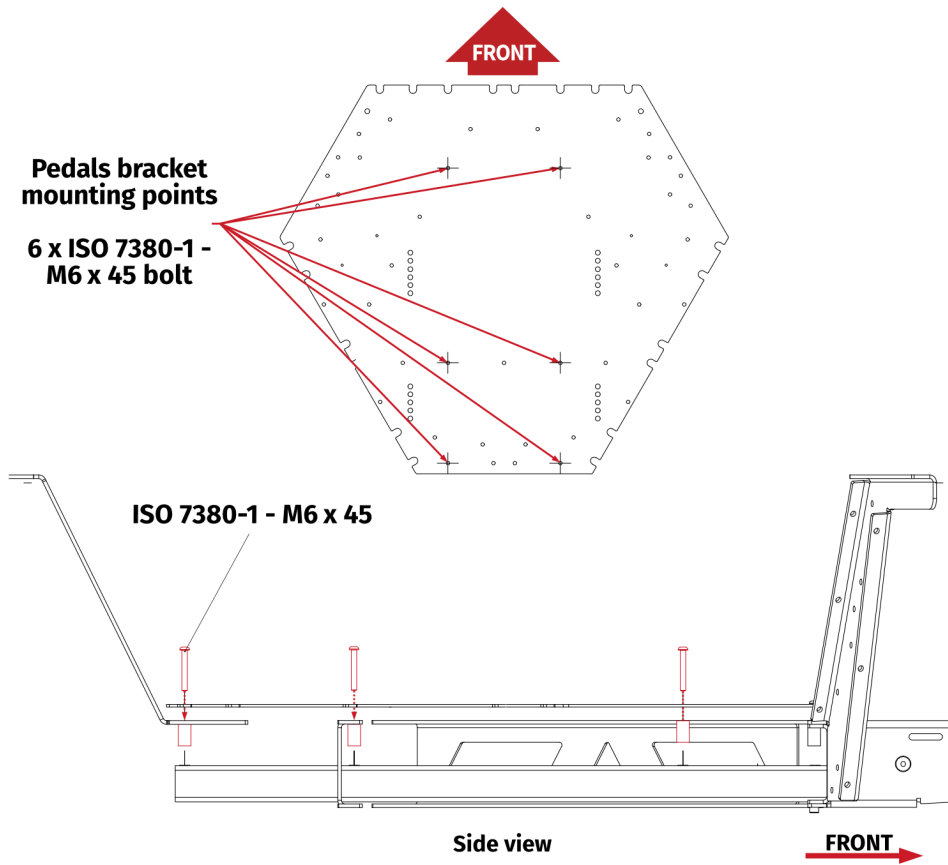
Operation	Tools
Put in the pedals mounting bracket as shown on illustration. Remove 6 bolts from the spacers.	4mm hex key



Operation	Tools
Attach the pedals set to the frame.	4, 5mm hex key

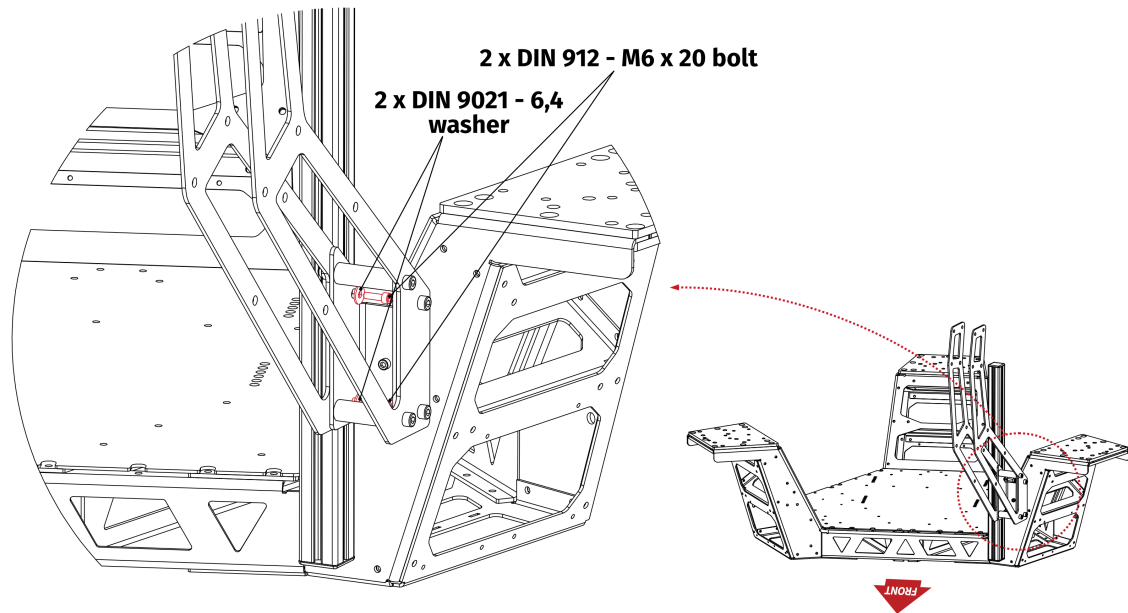


Operation	Tools
Put in the removed bolts through the holes in the cockpit frame and use them to connect the pedals bracket with cockpit frame.	4mm hex key



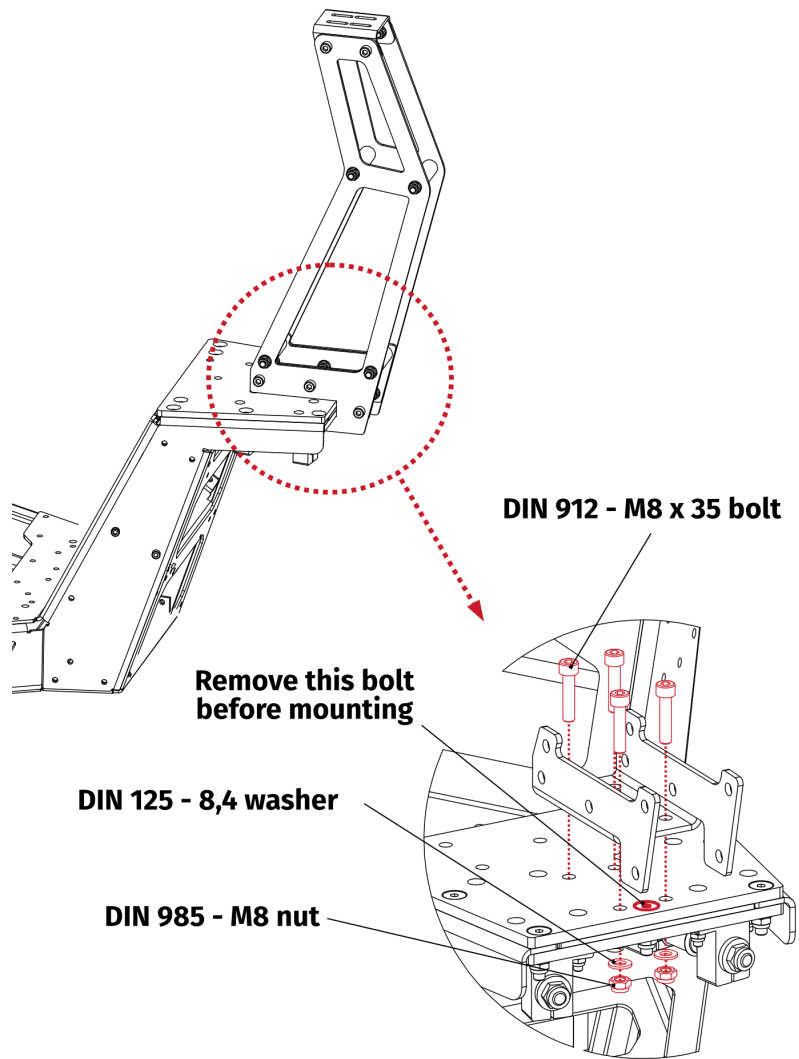
### 3.5.8 MONITORS HOLDERS

Operation	Tools
Connect the monitors holder front bracket.	5mm hex key

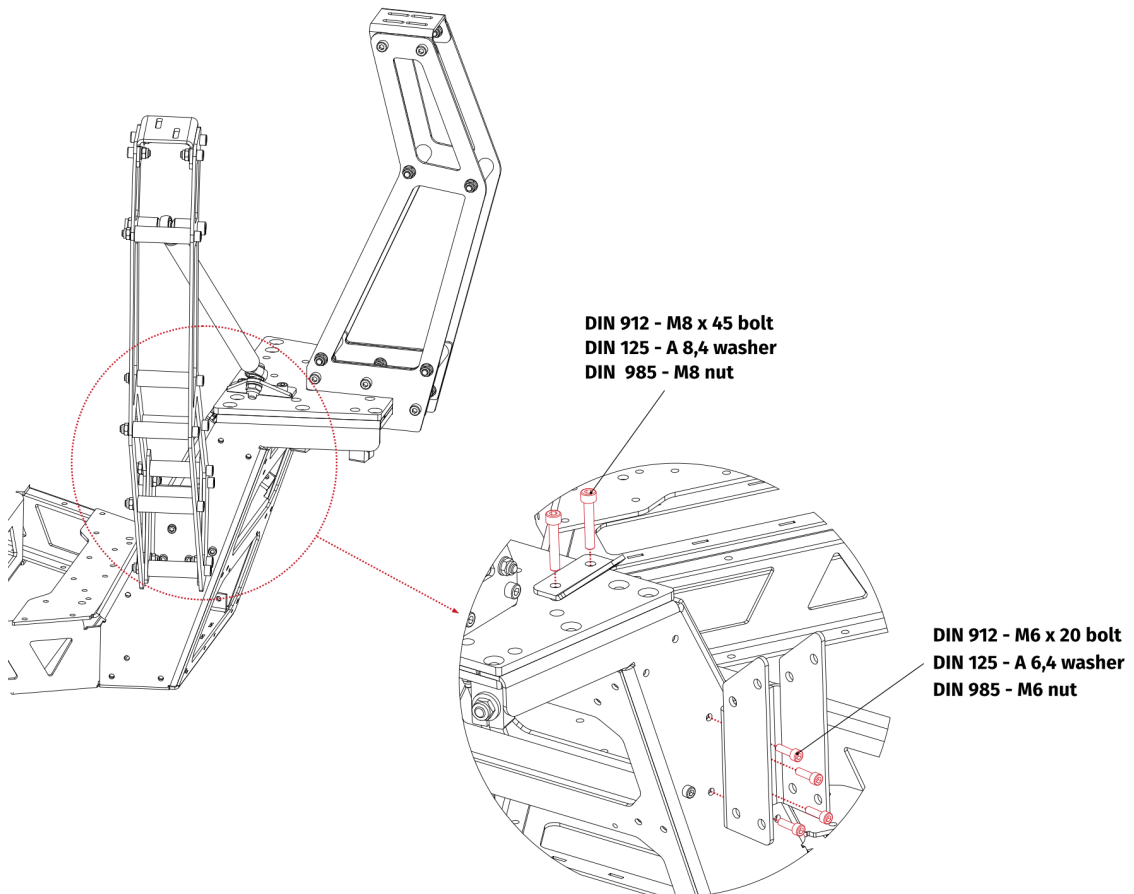


---

Operation	Tools
Connect the monitors holder side bracket.	6mm hex key, 13mm socket wrench

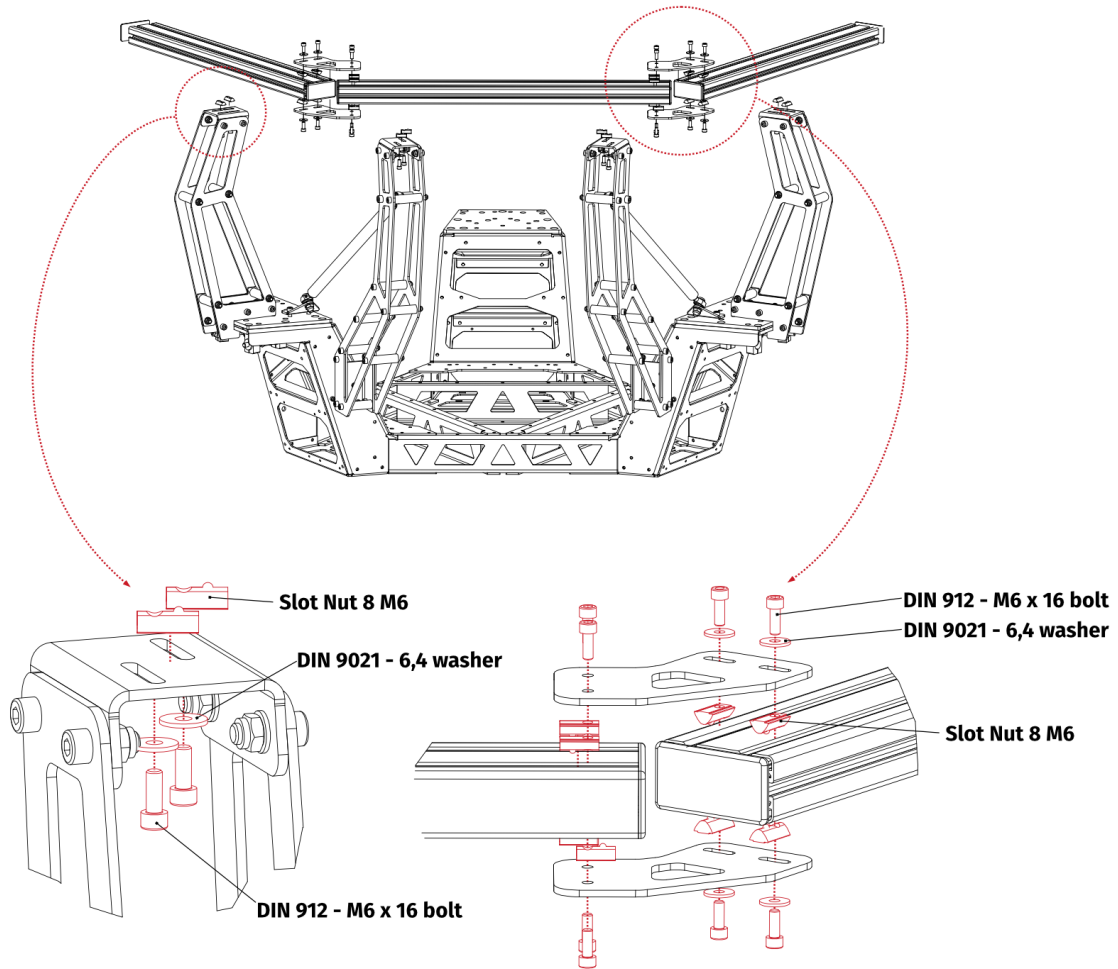


Operation	Tools
Connect the monitors holder front bracket - pull rod.	6mm hex key, 13mm socket wrench

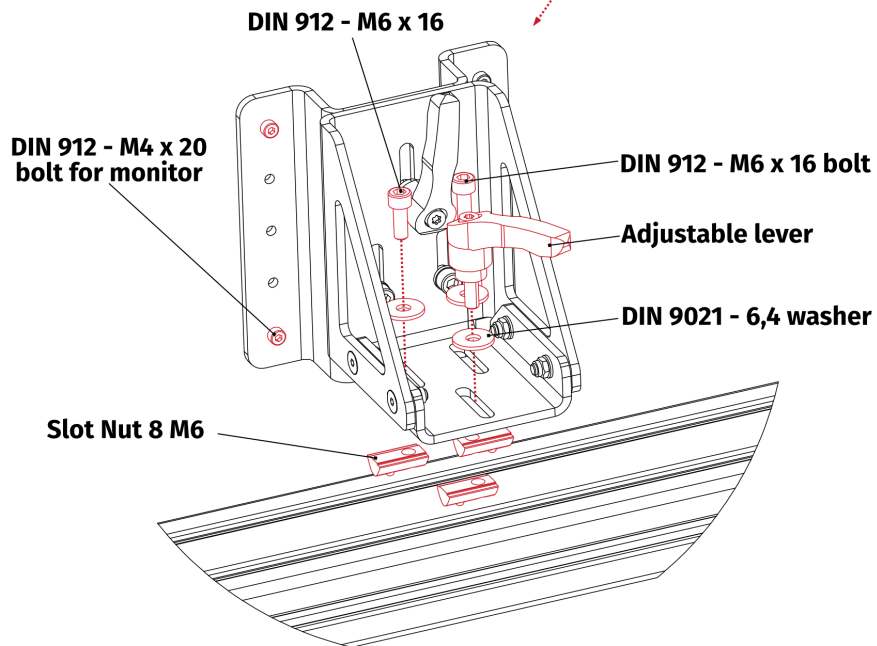
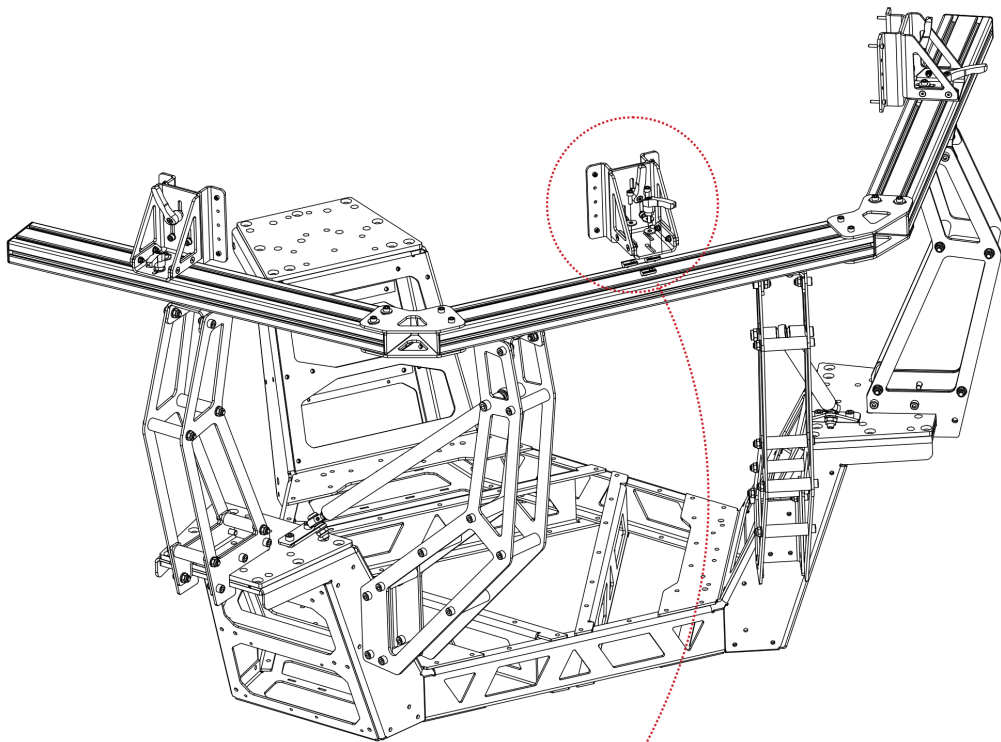




Operation	Tools
Connect the monitors holders top frame.	5mm hex key

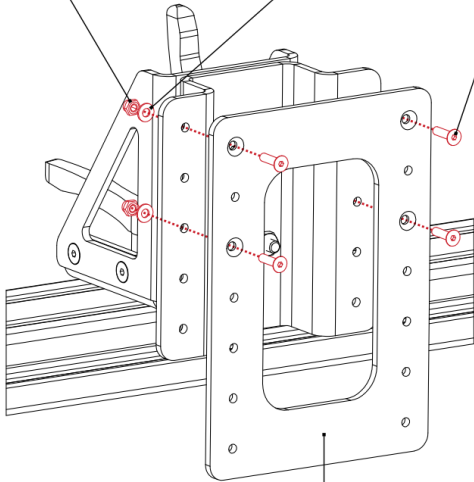


Operation	Tools
Connect the monitors mounting brackets to the top frame	2.5, 3, 5mm hex key



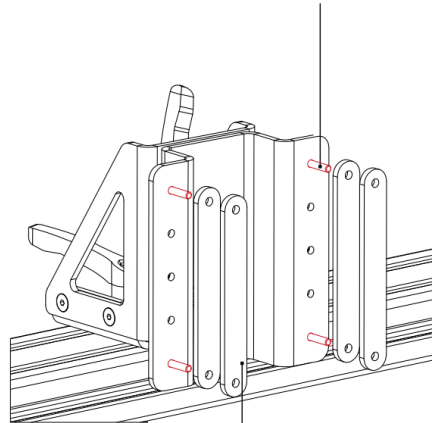
---

DIN 985 - M4 nut  
DIN 125 - A 4,3 washer  
DIN 7991 - M4x16 bolt



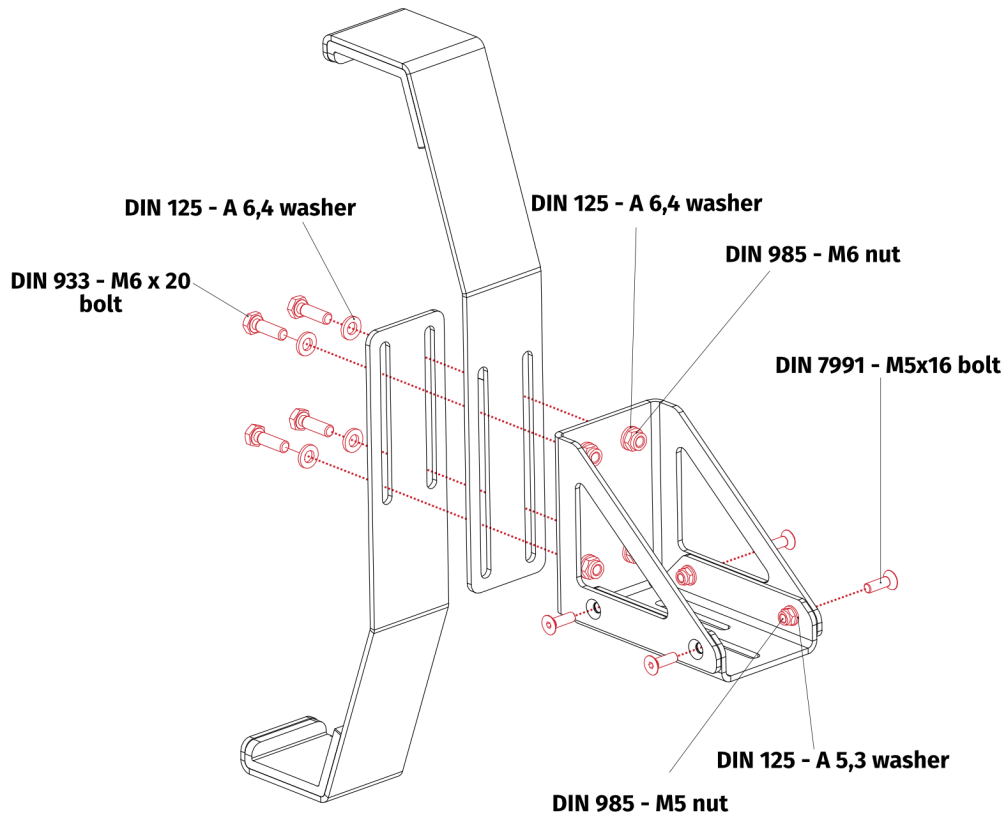
**Mounting bracket for adjusting monitor height, in case when monitor mounting points are not in the center**

DIN 912 - M4 x 20 bolt



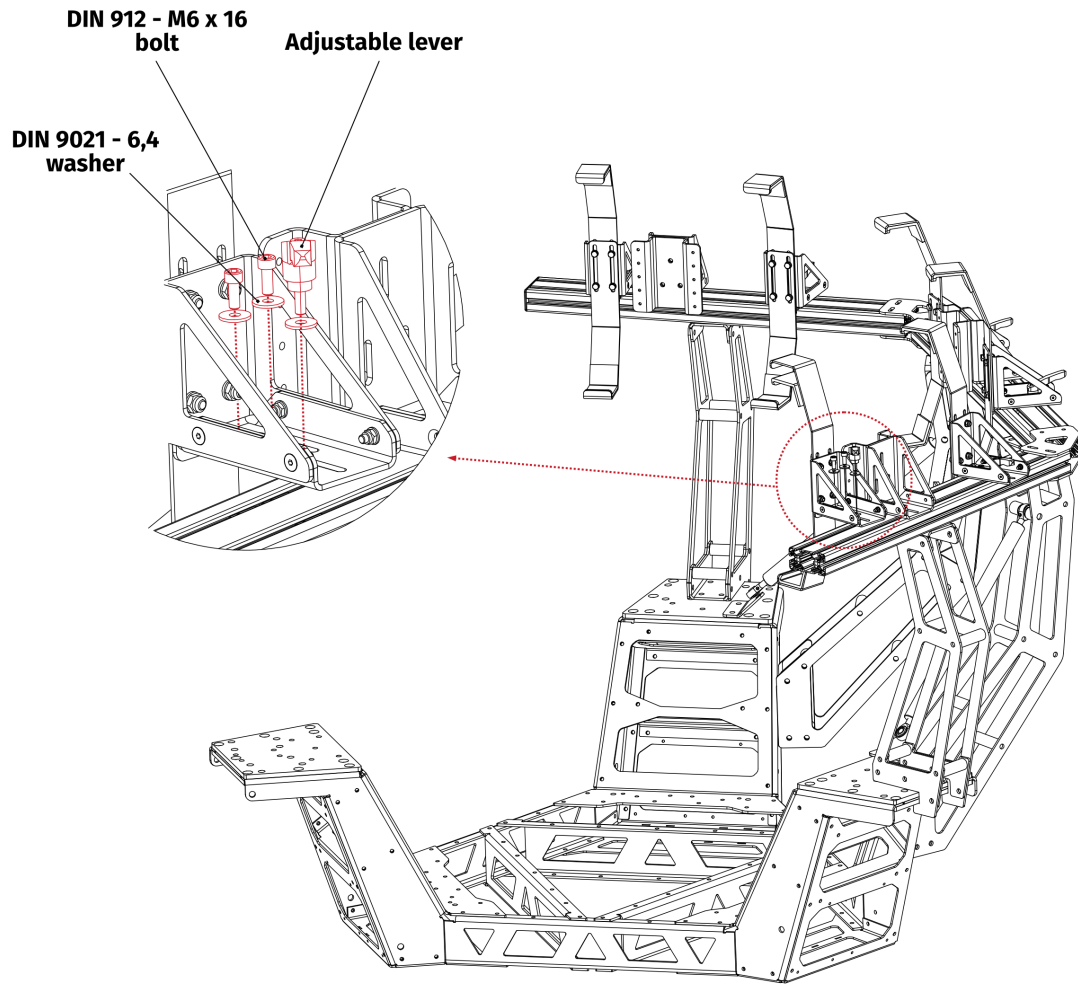
**Mounting brackets for monitors with mounting niche**

Operation	Tools
Connect the monitors frame to the mounting bracket	3mm hex key, 8 & 10mm socket wrench



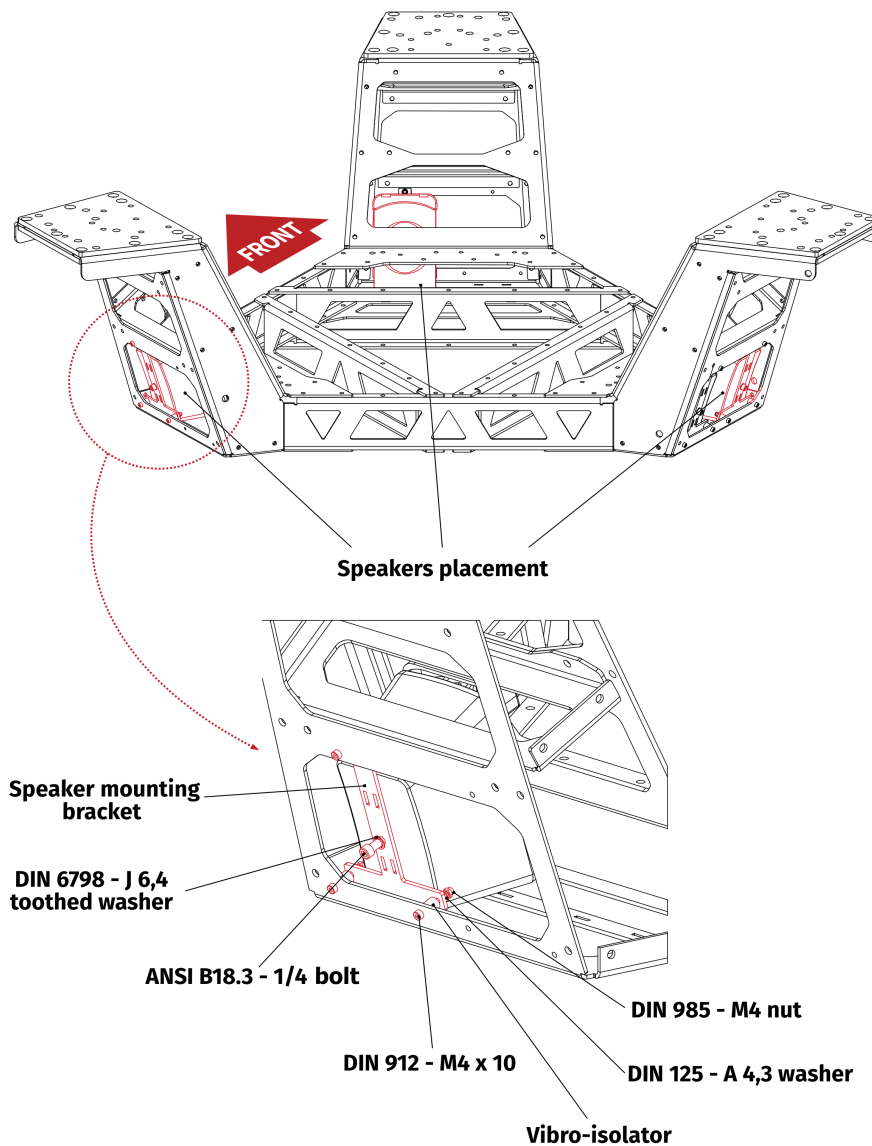
---

Operation	Tools
Connect the mounting brackets with the upper frame of the holders.	5mm hex key



### 3.5.9 SPEAKER HOLDERS

Operation	Tools
Connect the speakers mounting brackets and mount the speakers inside the cockpit frame.	3mm hex key, 7mm socket wrench



**INFO**

Dedicated set of speakers for the QS-S25 is Logitech Z906

---

## 4. INSTALLATION

### WARNING

Dangerous voltages level can be present in Power Cabinet and cables during the operation and for a few minutes after turning off the machine.

Remember, even though possibilities with QS-S25 are broad, some things should be kept in mind when the place for the rig is chosen. Motion Systems **DOES NOT** approve exceeding or ignoring any of these points and **IS NOT** responsible for malfunctions or failures that are the results of these actions.

- **DO NOT** use the QS-S25 on very soft or fragile surfaces like rubber, glass, or foam.
- Ensure that all QS-S25 modules are mounted properly.
- Be aware that QS-S25 will crawl a little in every direction during operation. Those movements could damage the surface in the long term. Manufacturer, its subsidiaries, and their partners are not responsible for any floor damages. It is recommended to anchor the machine to the ground - see section **Anchoring** on page **63** for details.
- **DO NOT** mount the rig in tight or cluttered spaces – nothing should restrict QS-S25's motion range.
- Seatbelts and other harnesses should be mounted to parts of the motion rig that move in the same way as the seat. **DO NOT** attach them to any static part or ground.
- Cables must not be stretched and should be kept in a way that prevents them from getting under actuator or any part that can crush or tear them.
- If you want to use the QS-S25 in an unusual application, and you are not sure, that the desired setup is feasible, please contact the distributor/reseller.
- Only racing seats and harnesses certified by the FIA shall be installed on the QS-S25.
- The user/integrator is responsible for using a pedal set other than that provided by the manufacturer.

### 4.1. TRANSPORTATION

The platform can be moved using transportation wheel modules, included in the package. Attaching them to a fully assembled platform will lift it from the ground and allow to roll it into designated place. Wheel modules **MUST** then be unfastened. **DO NOT** use the platform while on the wheels.

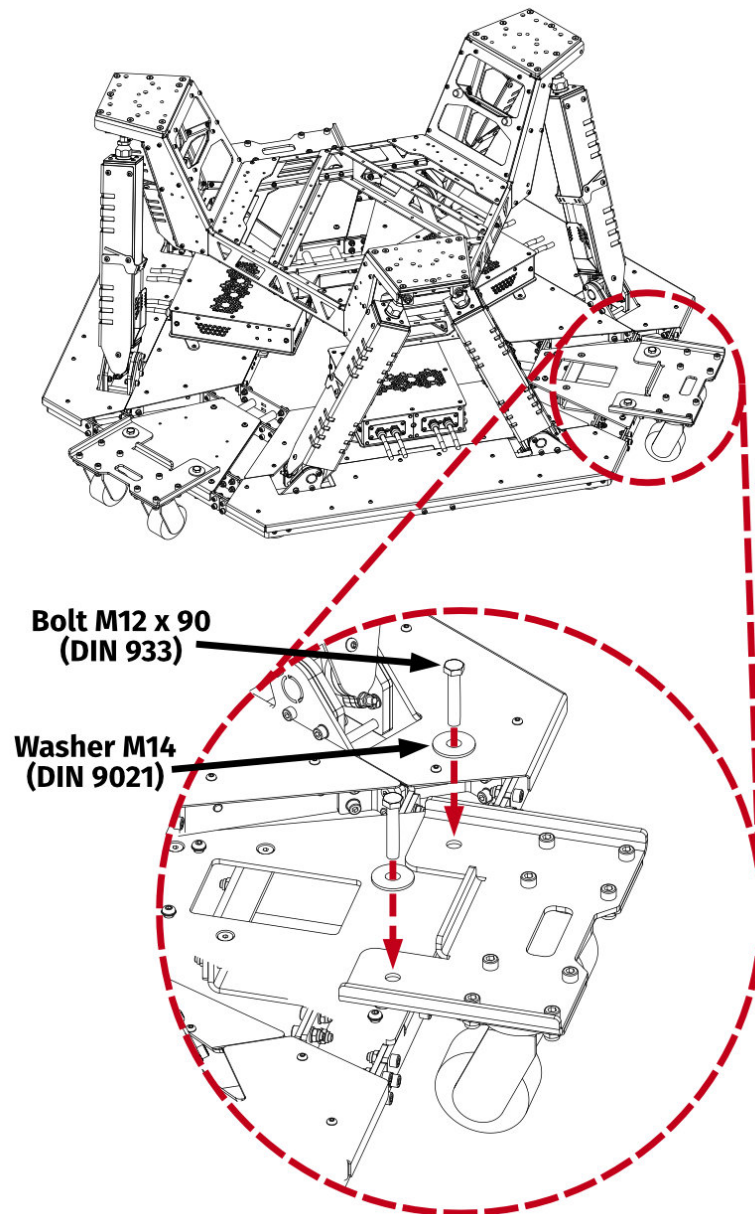
The platform may also be lifted and transported using lifting straps and a lifting device.

### WARNING

All operations **MUST BE** performed with the power OFF and cables disconnected from the outlet.

### 4.1.1 ATTACHING WHEEL MODULES

To roll the platform into designated place install wheel modules (x3) using included bolts and washers. Screw them in gradually to evenly lift the platform.



#### WARNING

After rolling the platform into designated place wheel modules **MUST** then be uninstalled. **DO NOT** use the platform while on the wheels.



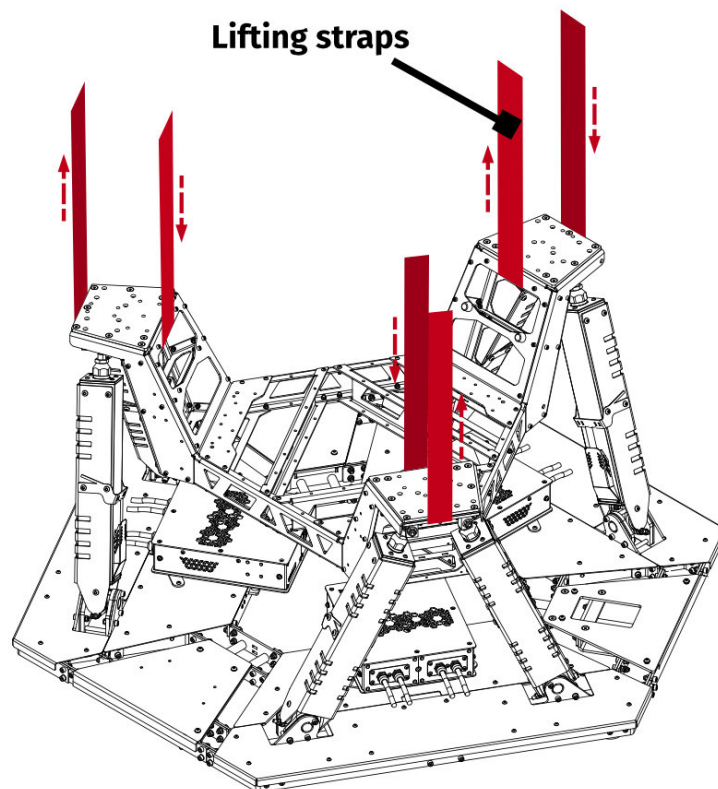
---

## 4.1.2 LIFTING THE PLATFORM

### WARNING

To avoid damaging platform's components with lifting straps - side monitor screens and right desk should be removed.

The platform can be moved by lifting it from the ground. **ONLY** use lifting points shown below:

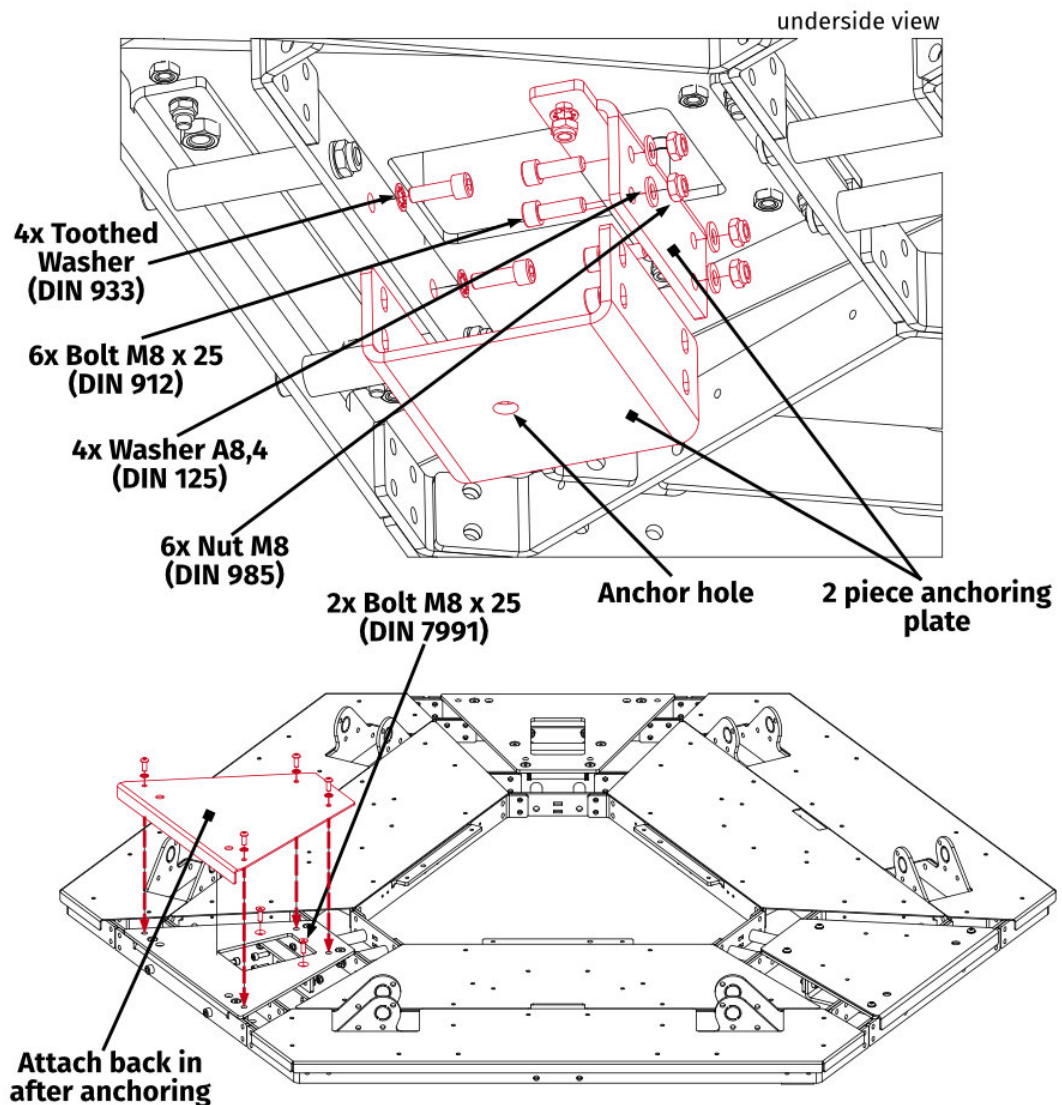


### WARNING

- Only a professional forklift operator can operate the forklift/hoist.
- Forklift operator should be assisted by a helper standing in short distance and guiding him while moving the platform.



- 
2. Install anchoring plates underneath the platform using bolts, nuts and washers included in the package, as shown in the illustration:

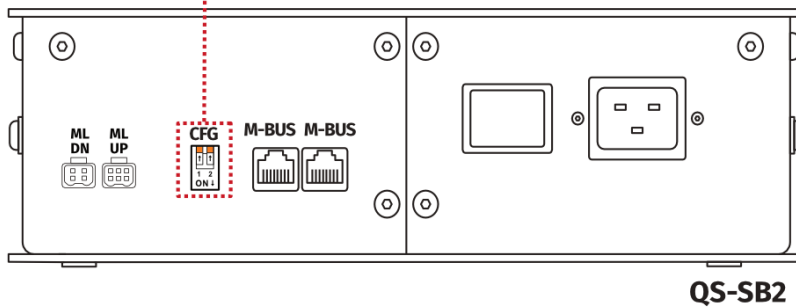
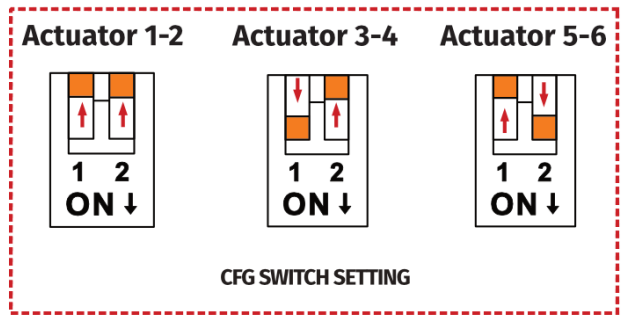
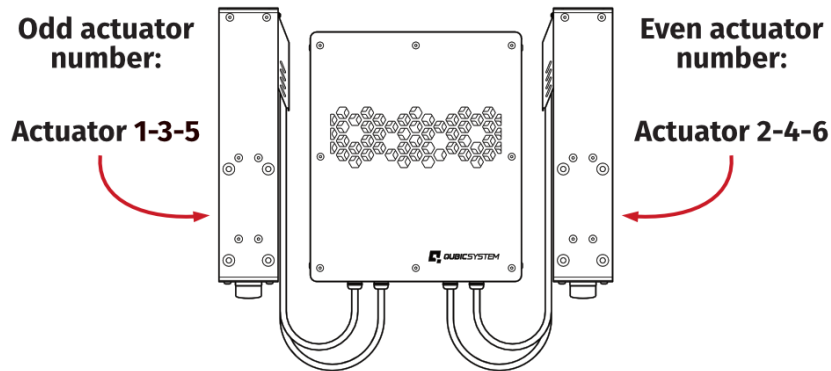


3. Once the platform is in its designated place - install anchor bolts referring strictly to manufacturer's anchor bolt manual.
4. Reattach triangular plates back to the platform using 5mm hex key.

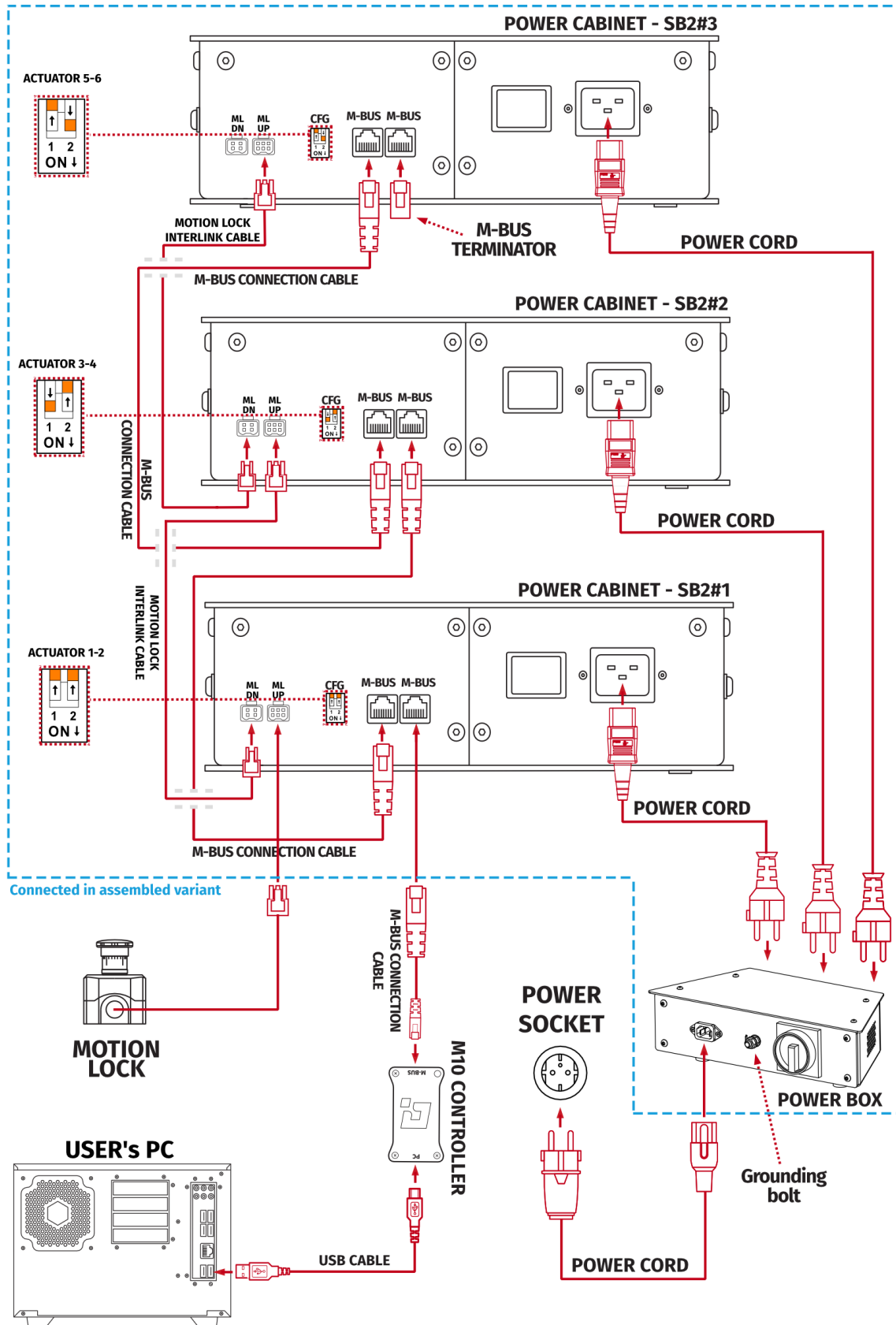
### 4.3. CFG SWITCH CONFIGURATION

**INFO**

- All QS-SB2 Power Cabinets **must** be interconnected via Motion Lock interlink cables.
- Order of connecting the cables is not important. Keep the CFG switches setting according to the actuators numbering.



## 4.4. INTERCONNECTIONS



## 4.5. MOTION LOCK CONNECTION WITH OTHER QS DEVICES

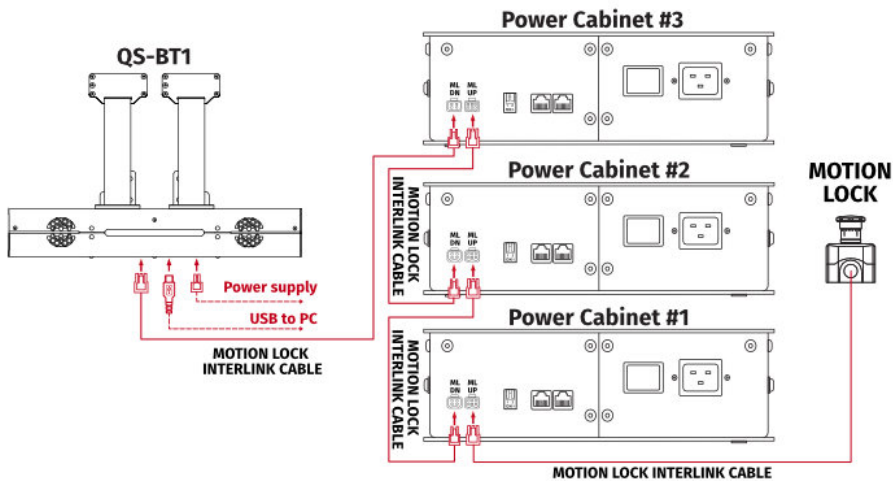
If you own more QubicSystem devices, we recommend including them in the Motion Lock circuit in order to create one e-stop button setup. Refer to diagrams below.

### WARNING

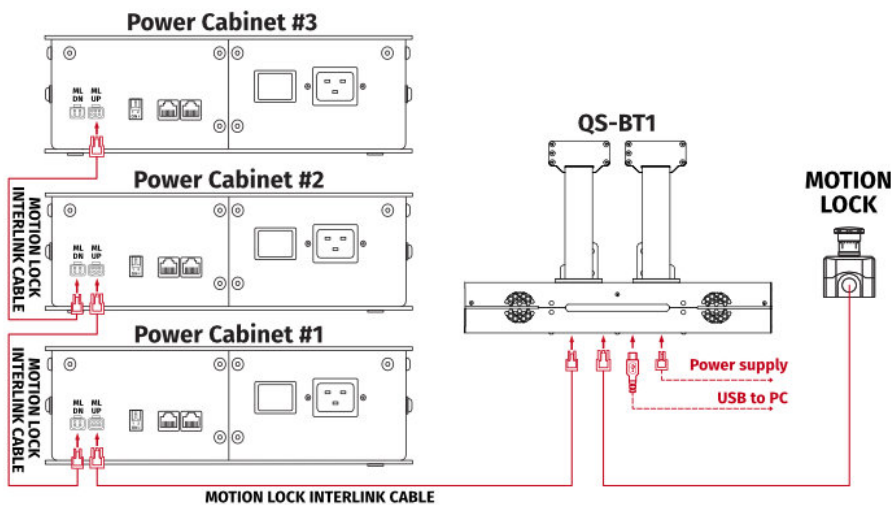
- All Motion Lock connections must be performed with power switched OFF.
- Motion Lock interlink cables have different ML/UP (6 pin) and ML/DN (4 pin) plugs on each end.

QS-S25 and a belt tensioner (QS-BT1):

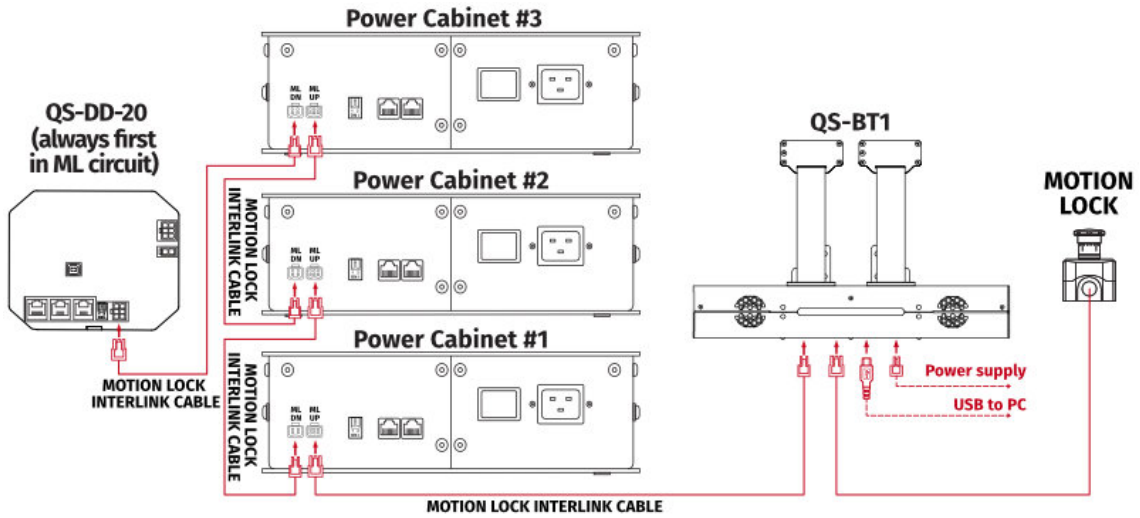
#### Variant #1



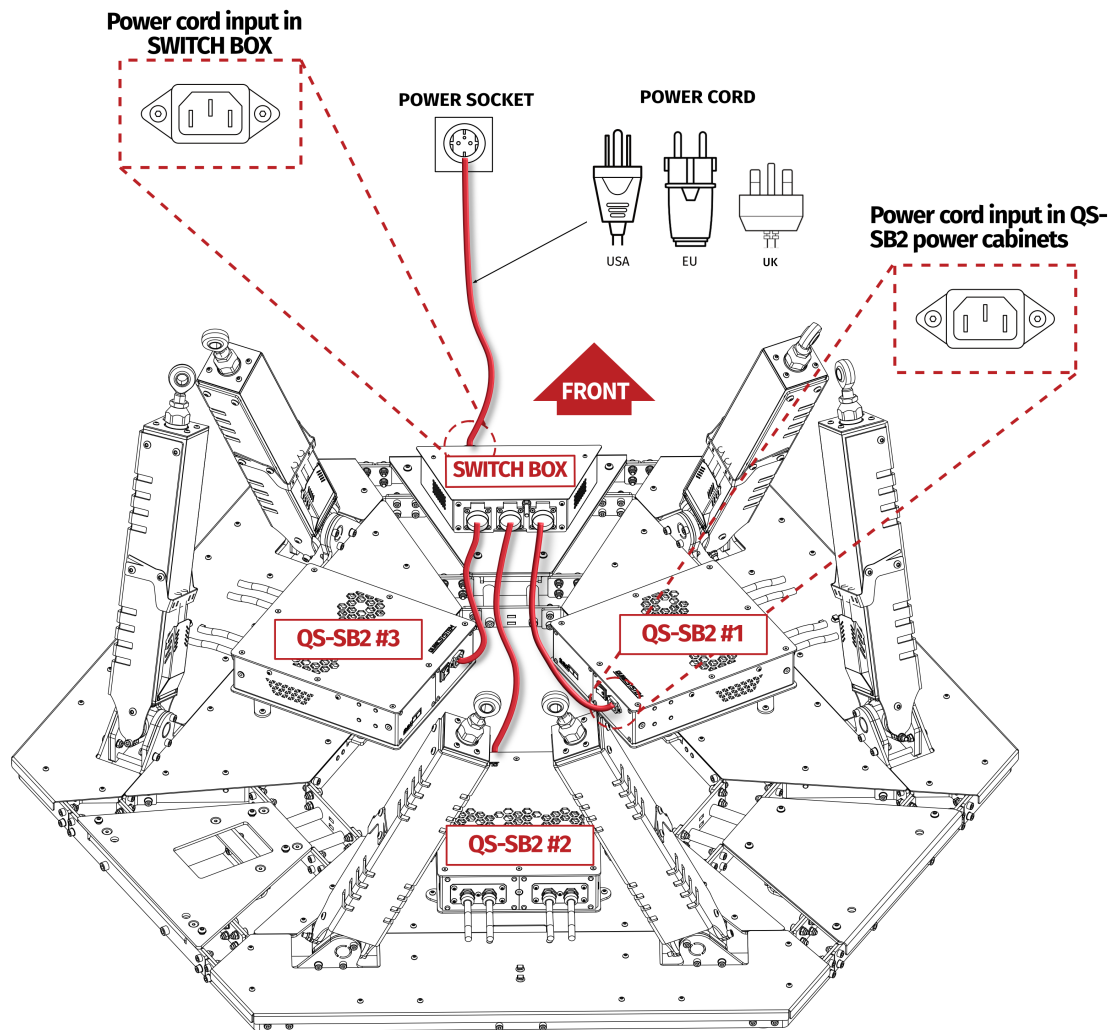
#### Variant #2



QS-S25, steering wheel (QS-DD-20) and a belt tensioner (QS-BT1):



#### 4.6. CONNECTING POWER CORDS



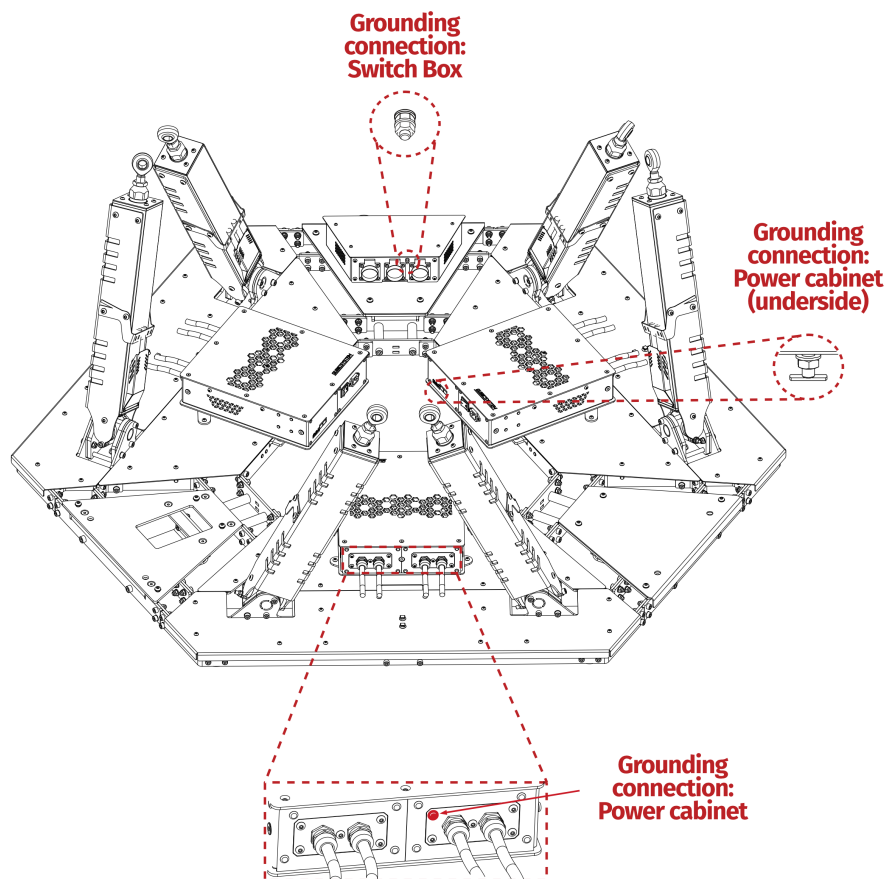
## 4.7. CONNECTING GROUNDING WIRES

### INFO

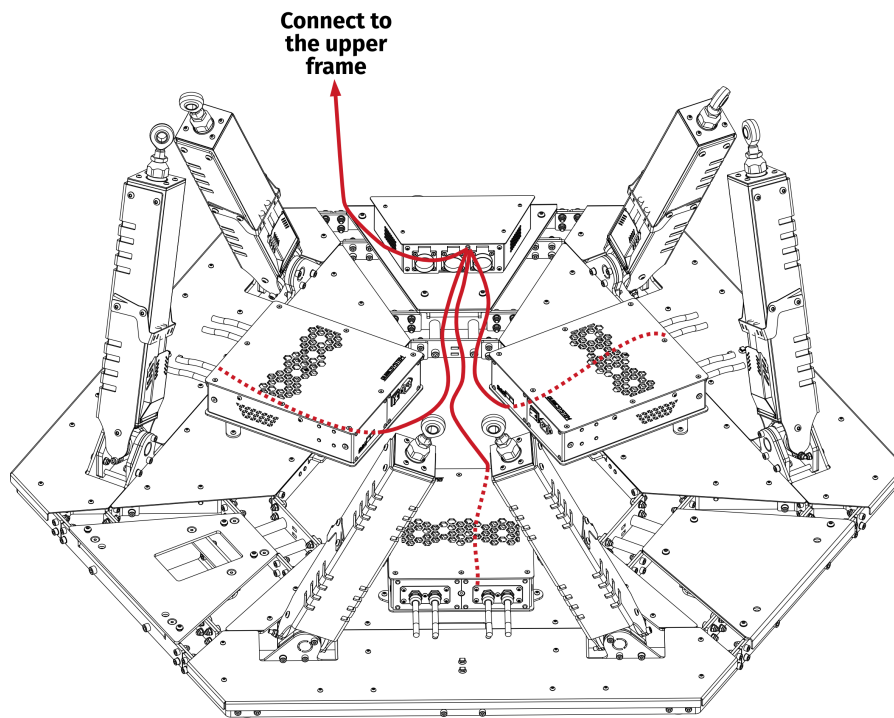
Platform is equipped with a low resistance protective-earth bolt. It must be connected to the facility's solid protective earth/grounding bolt in order to increase suppression level. It is recommended to use at least 10 mm<sup>2</sup> copper wire.

### WARNING

All operations **MUST BE** performed with the platform powered off and by a qualified electrician.

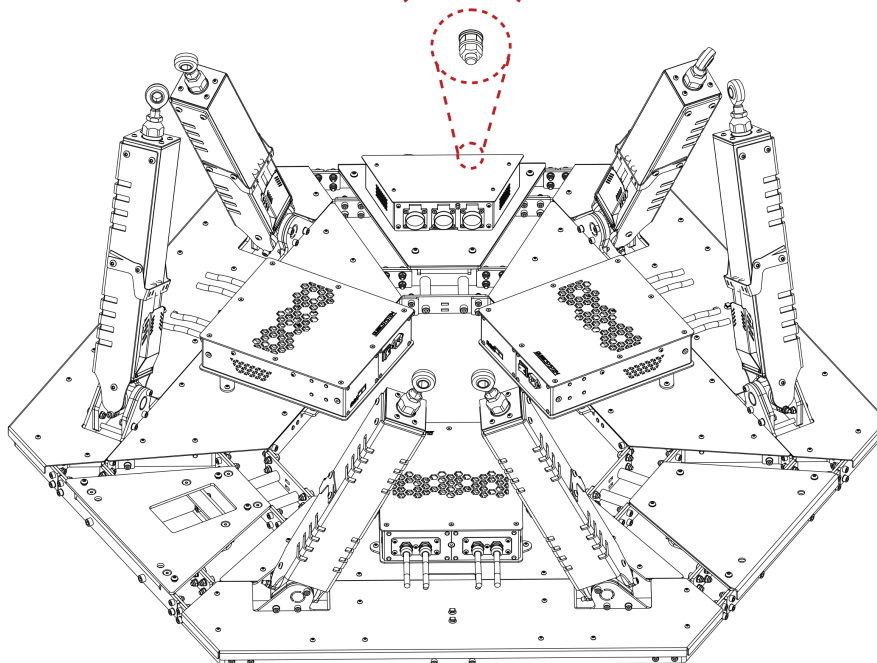






#### 4.7.1 CONNECTING BUILDING EARTHING WIRE

Building earthing wire connection:  
Switch Box  
(frontside)

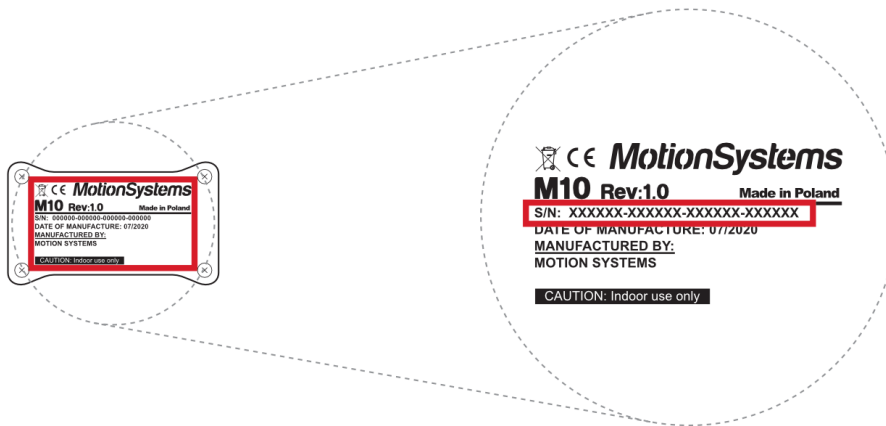


## 4.8. SOFTWARE INSTALLATION

### INFO

Note down the QS-S25 serial number before installation as it is needed to access software download page.

The **SERIAL NUMBER** can be found on the M10 identification label in the **XXXXXX-XXXXXX-XXXXXX-XXXXXX** format. This serial number is also used for activation of FSMI (Force-SeatMI) and MT (Motion Theater) licenses - check information on page **76**.



To download the software visit: [QubicSystem.com/Download](https://QubicSystem.com/Download)

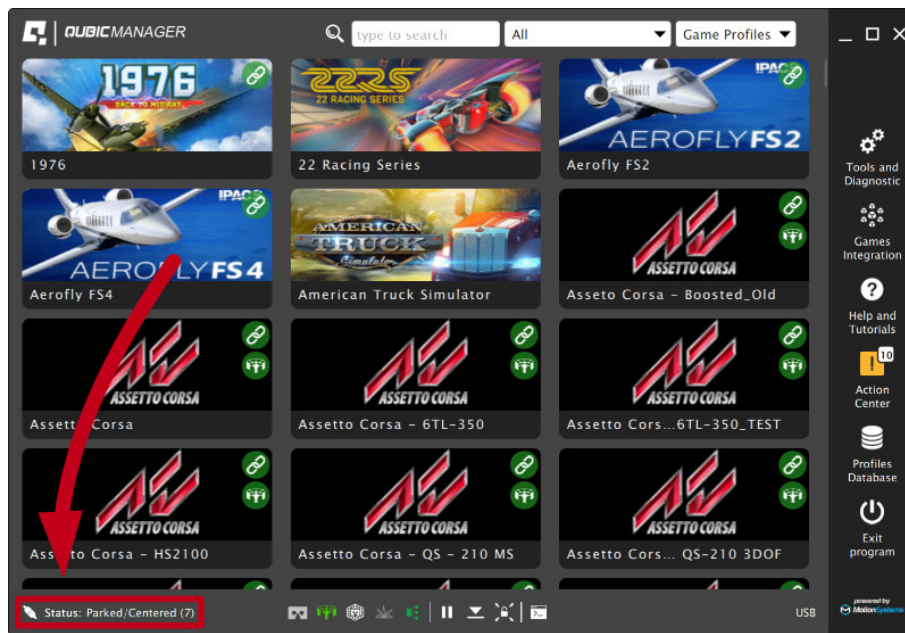
**Once the QS-S25 is installed and connected correctly:**

1. Download **Qubic Manager Software**.
2. Proceed with the installation steps and launch the application.
3. Connect power connection cord to the wall socket.
4. Turn on the system by switching on the power switch button on the Power Box.
5. Check position of Motion Lock Switch, unpress if needed.
6. The QS-S25 will perform a start-up calibration.

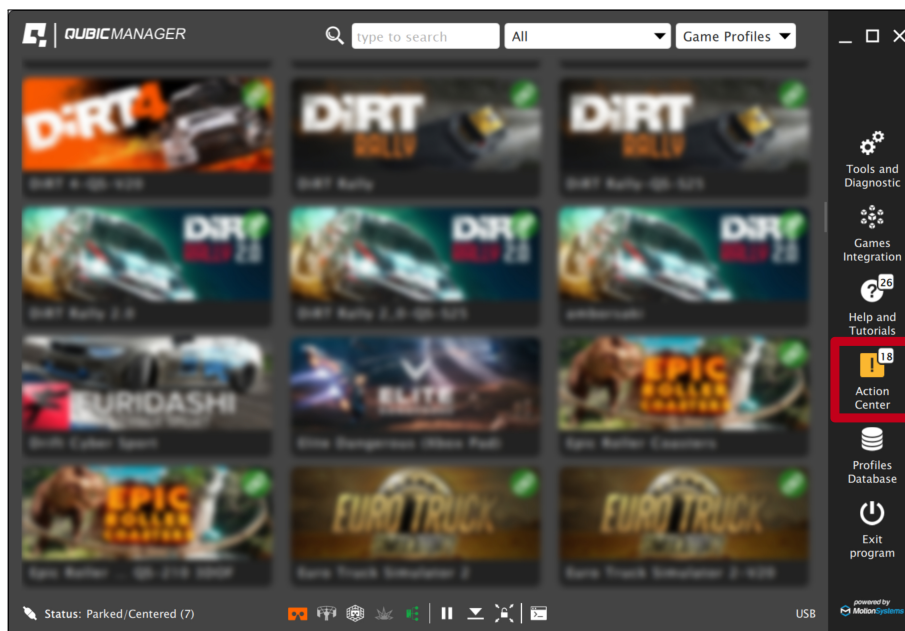
### WARNING

**DO NOT** change the payload during the start-up calibration.

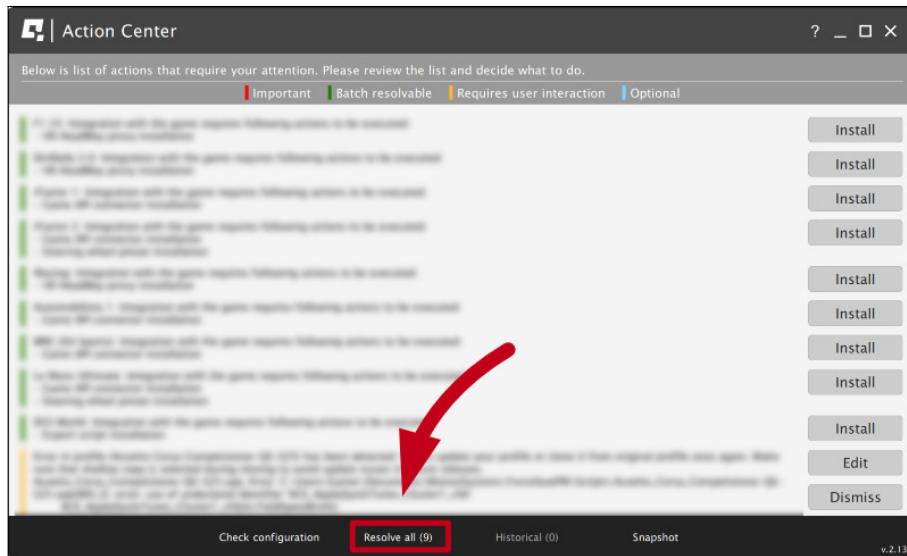
7. If Qubic Manager has recognized the QS-S25 correctly, the status of the machine visible in the lower left corner will change to **Parked/Centered**.



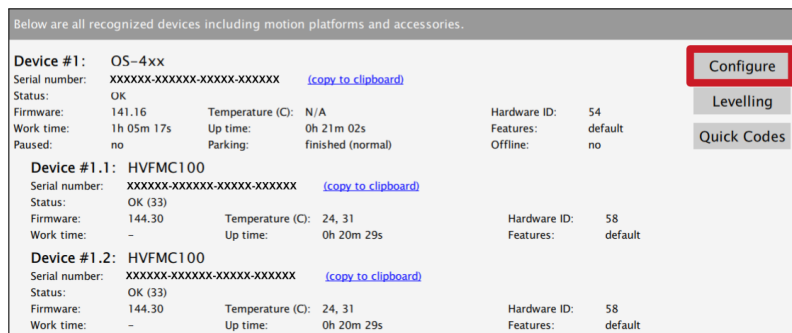
8. Check **Action Center** on the right side panel for a list of actions that requires attention:



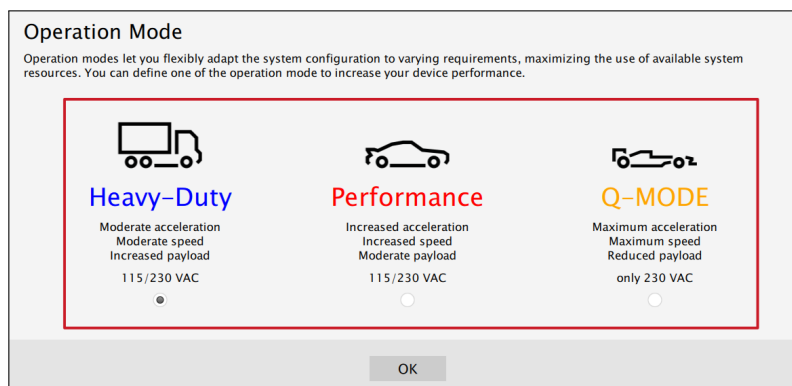
- It is possible to solve them one by one or by pressing the **Resolve All** button. Firmware update may require additional confirmation in the dialogue box.



- Go to **Tools and Diagnostics** → **Devices** and select **Configure**.



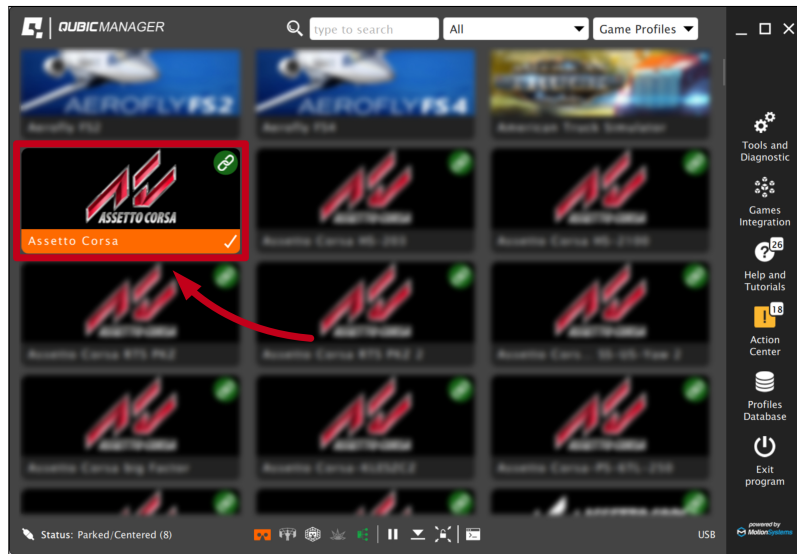
- Choose one of the operation modes:



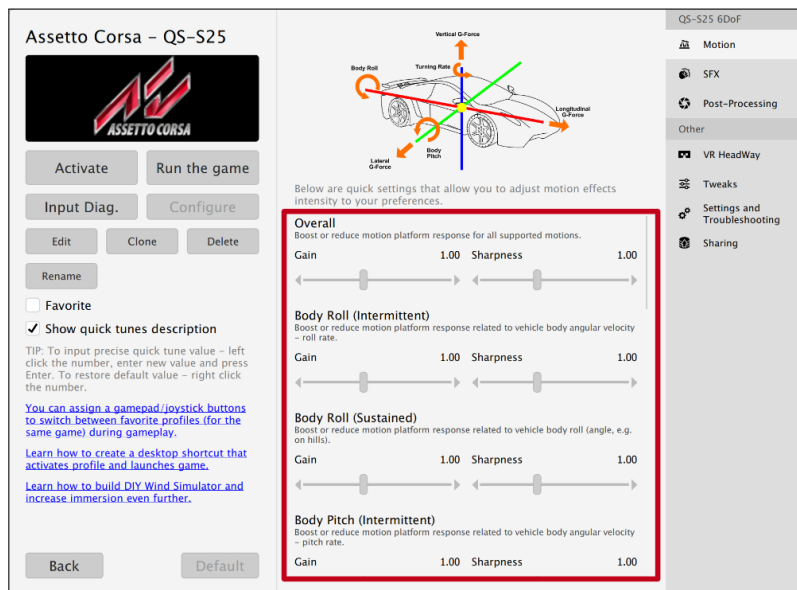
**INFO**

Q-MODE is unavailable for QS-S25

12. Close the configuration and return to the main application window. Choose the game and check profile details by clicking on the game tile.



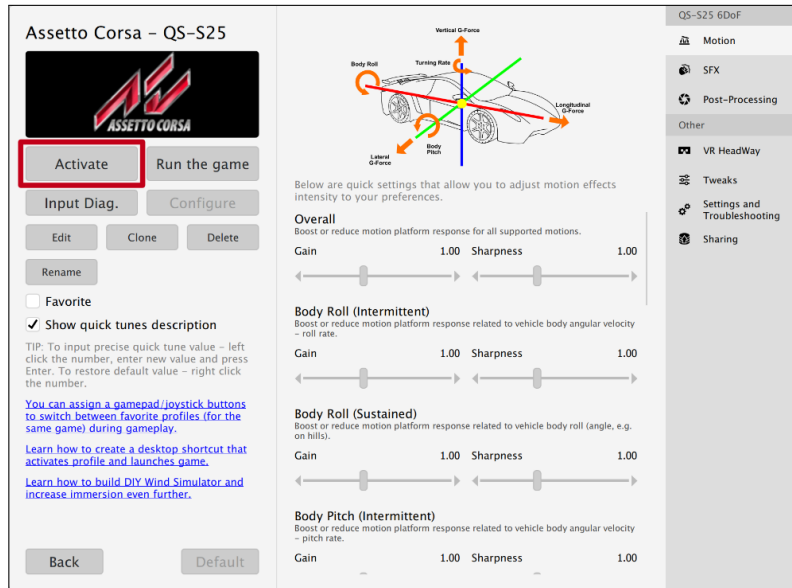
13. Adjust the motion effects intensity to your preferences in the game profile window, scroll down in the window to see all of the settings. You can adjust the settings during the game simulation by pressing **ALT+TAB**.



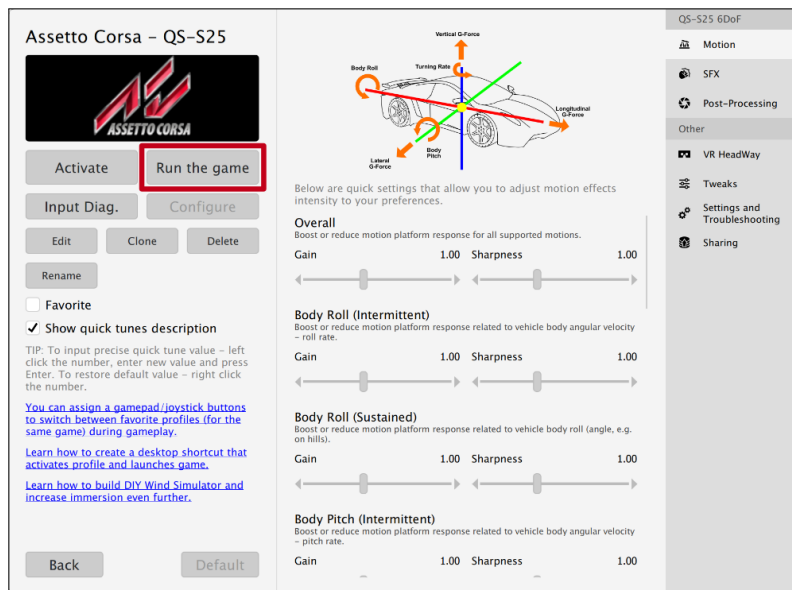
## WARNING

The QS-S25 is a high performance machine capable of fast and abrupt movement based on game/simulation input data. User **MUST** maintain a sensible approach when modifying the default game profile.

**14.** Activate profile by clicking the **Activate** button.



**15.** Launch the game by clicking the **Run the game** button.





## 5. MAINTENANCE

### Cleaning

To minimize the risk of abnormal heating that can result in system failure, keep the QS-S25 uncovered, clean and dust-free. Cleaning the unit should be performed with a soft, dry cloth. **DO NOT** use solvents or cleaners that may corrode or damage materials of parts used in the QS-S25 in any way.

### Testing the Motion Lock button

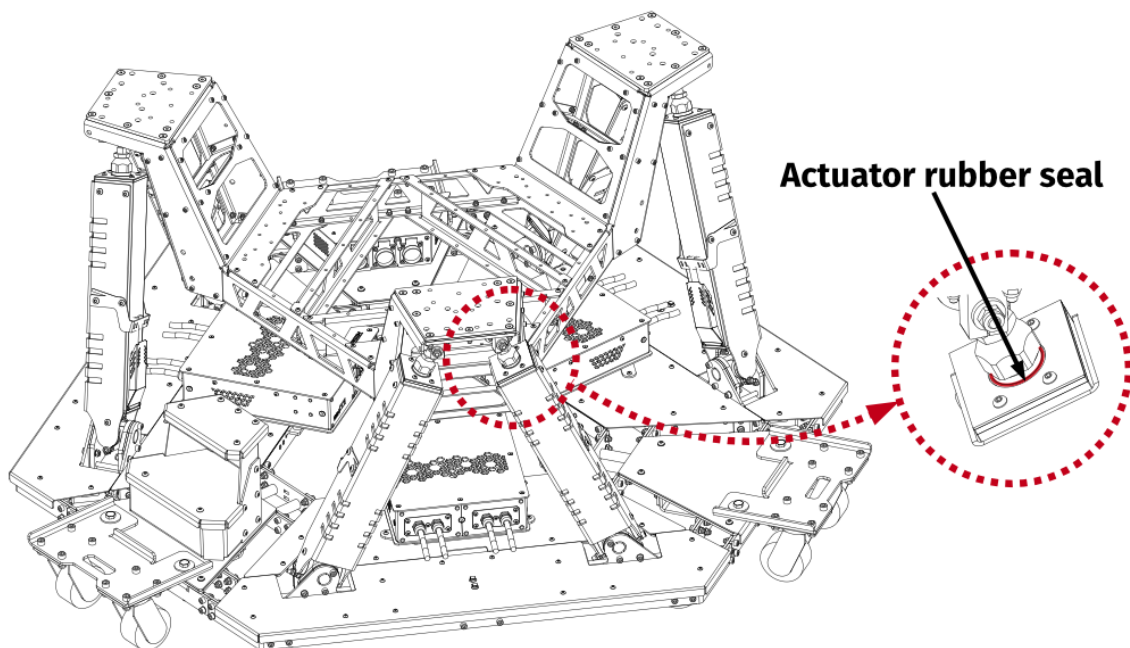
**At least once a month** check if Motion Lock switch is working correctly – turn on the QS-S25 (with no one using the rig) and push the red button. If the machine turns off, lowers and does not react to any signal (turn on simulation or game to verify that) then the Motion Lock switch works correctly. If the machine reacts in any different way - **DO NOT** use it and contact technical support.

### Checking actuator seals

To minimize the risk of QS-S25 failure, check the condition of the linear actuator's rubber seals **once a month**. If necessary, lubricate them externally, using silicone grease.

Manufacturer tested silicon grease specifications:

- Working conditions (°C): -40 do +200
- Density (g/cm<sup>3</sup>): 1,02
- NLGI class: 2
- Worked penetration: 220-270
- Dielectric constant (100 Hz): 2,9
- Breakdown voltage (kV/mm): 30
- pH of water lift: 4 to 6





---

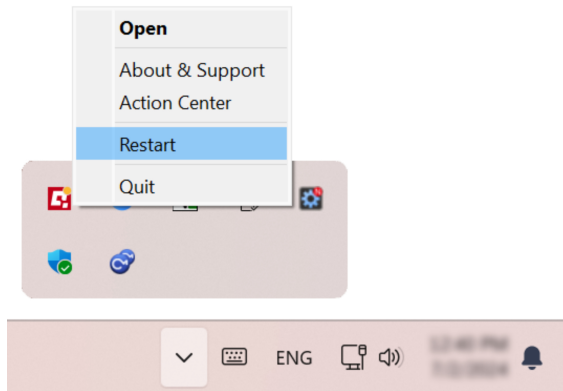
## 6. TROUBLESHOOTING

### WARNING

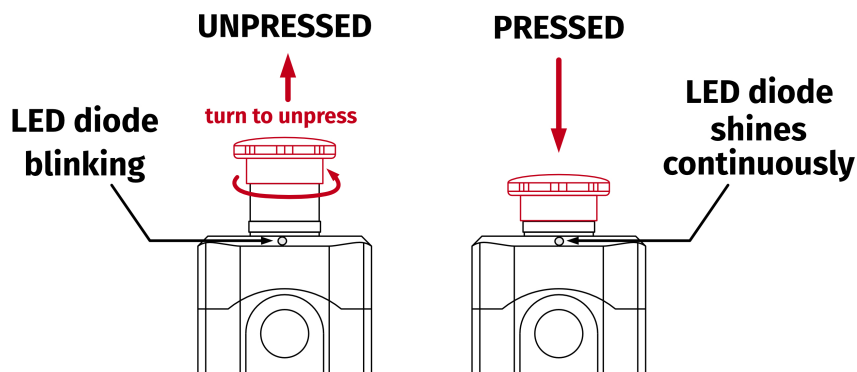
**DO NOT** attempt to do any repairs by yourself. It could be dangerous and will result in loss of warranty! Repairs should be consulted with technical support and then performed by a qualified technician.

#### Before contacting technical support, try this:

- Check Action Center in QubicManager.
- Check all cable connections in the device.
- Restart QubicManager application by right-click on the application icon in the system tray and selecting **Restart**:



- Check Motion Lock Switch position (should be unpressed to activate the motion):



- Try different USB ports (also try bypassing the USB hub by a direct PC connection).
- If a problem occurred abruptly, it could be caused by a thermal protection. Turn off the QS-S25, disconnect it from power outlets and wait at least 15 minutes to let it cool down. Try turning it on again later.
- In case of any unclear electrical issues or strange behavior, contact technical support.
- If the device suffers from abnormal work conditions, please immediately contact the distributor/reseller for technical support.

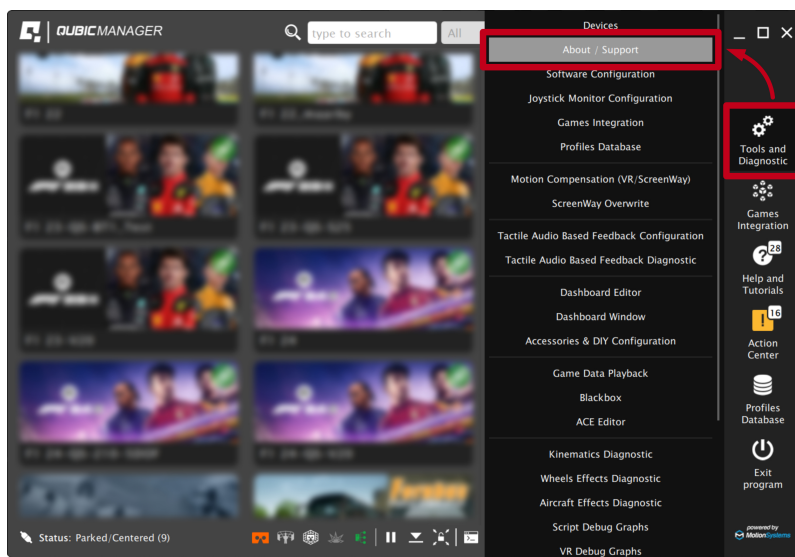
## 6.1. CREATING A SNAPSHOT

A snapshot is the easiest and fastest way to diagnose a problem. If you send in the zip file generated in the snapshot menu along with a description of the problem, technical support receives the necessary information about the product and its configuration. It can be then analyzed to provide the best solution.

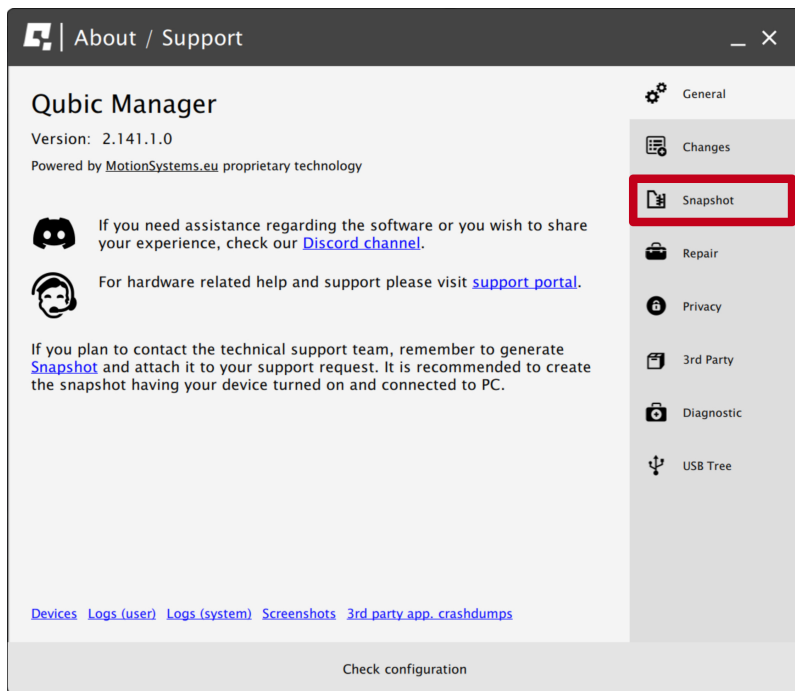
### WARNING

The QS-S25 and all interconnected Power Cabinets **MUST BE** be powered up when creating the snapshot.

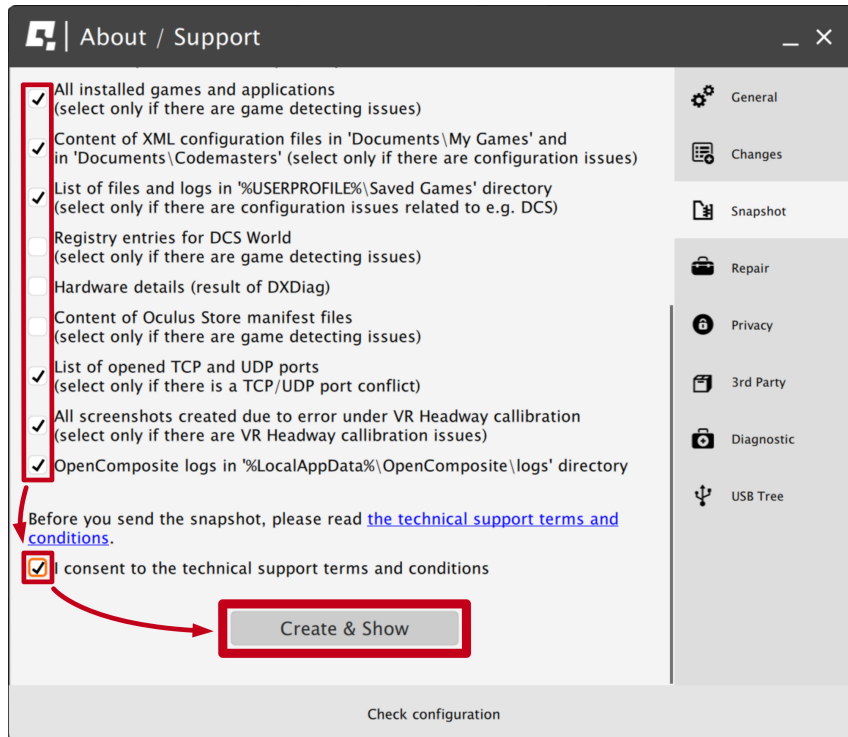
1. Open the main window of the QubicManager application.
2. Go to **Tools and Diagnostic** → **About / Support**.



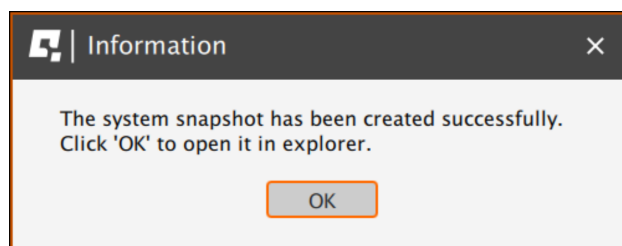
3. Open the **Snapshot** window:



4. Select data that will be included in the snapshot.
5. Scroll down, consent to the technical support terms and conditions and select **Create & Show**:



6. The snapshot has been created, click the **OK** button - the folder with the snapshot ZIP file will open.



7. Attach the snapshot ZIP file to your support request.

## 6.2. DISCORD CHANNEL

We strongly recommend joining our discord channel, where our growing community is sharing amazing tips and ideas of how to set up, use and tune the Qubic System products. You can also send questions for technical support or get answers directly from the community.

Join our discord channel by following the invitation link:

<https://discord.com/invite/tuAtybvTRn>



---

## 7. ADVANCED APPLICATIONS

### INFO

Examples shown in this section describe optional application of external safety and power cut-off devices. If you wish to expand the functionality of your motion system, read the whole section to have a good understanding of how to apply and what functionality to expect. Apply at your own discretion.

### WARNING

Motion Lock input is not a SIL/PL (safety integrity level/performance level) rated and **DOES NOT** guarantee safety. If you wish to achieve specific SIL/PL ranking, consider introducing a power cut-off device that is controlled by an external safety relay and cuts off the power to all QS-SB2. Example application of the power cut-off contactor can be found in section **7.3.2** and **7.3.3**.

### INFO

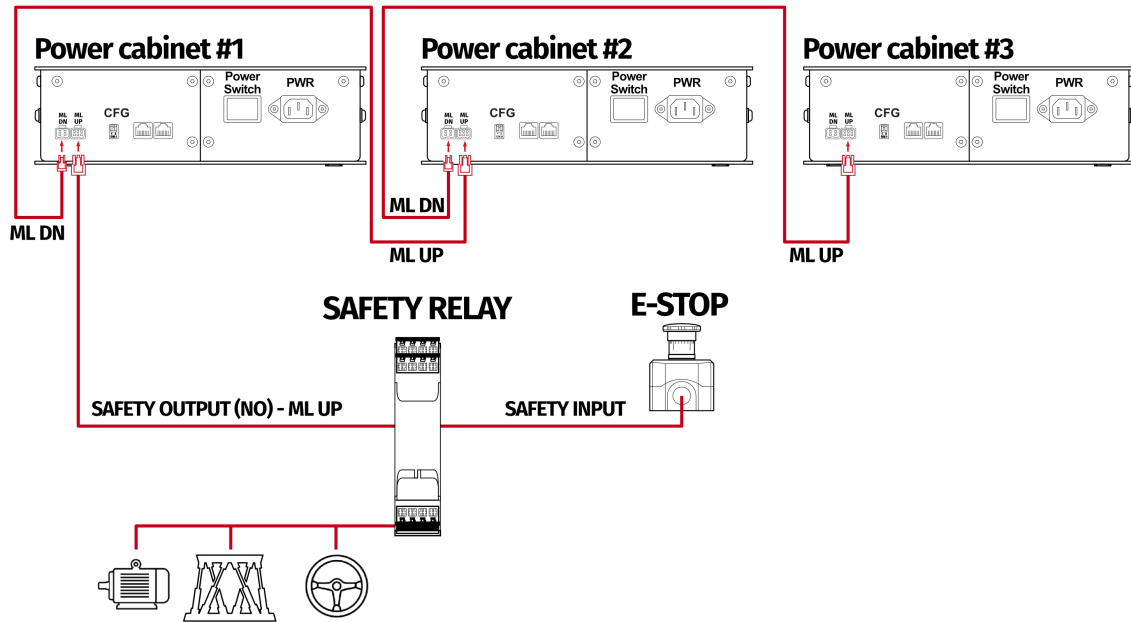
When applying safety relay to the Motion Lock :

- Use input cables according to your safety relay manual.
- Use output cables according to your safety relay manual and cross section no less than 0,75 mm<sup>2</sup>

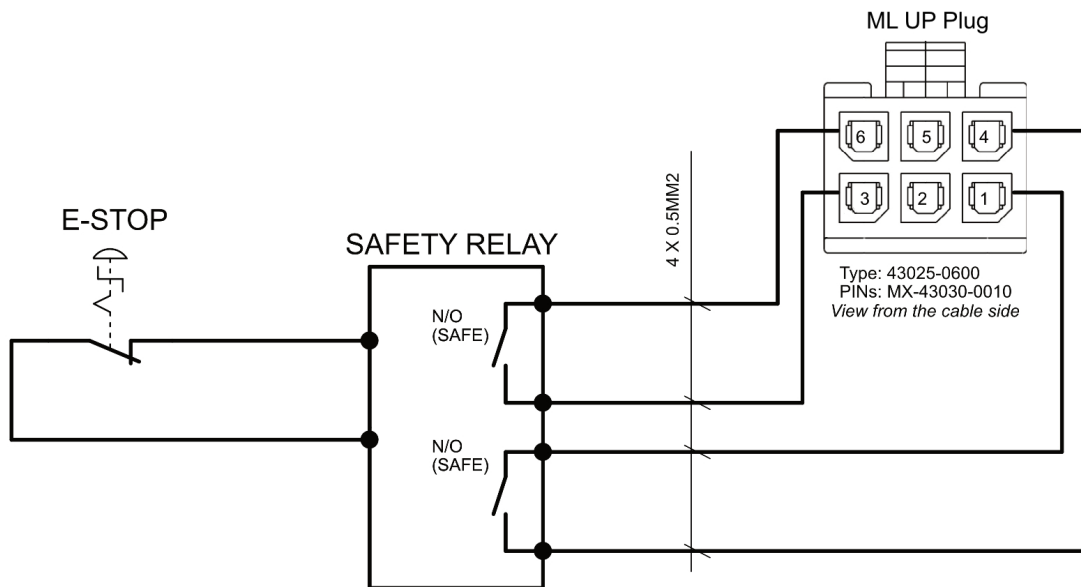
### 7.1. ADDING ADDITIONAL DEVICES TO THE MOTION LOCK CIRCUIT

If there is necessity to stop other devices, apart from the QS-S25, ML (Motion Lock) and additional user devices can be controlled by safety relay outputs. In the example application, the E-STOP button is connected to the external safety relay. When the E-STOP is triggered, the safety relay will activate the Motion Lock function, which will stop motion of the platform and additional devices.

**Example application of single-channel safety relay that controls ML and additional devices:**



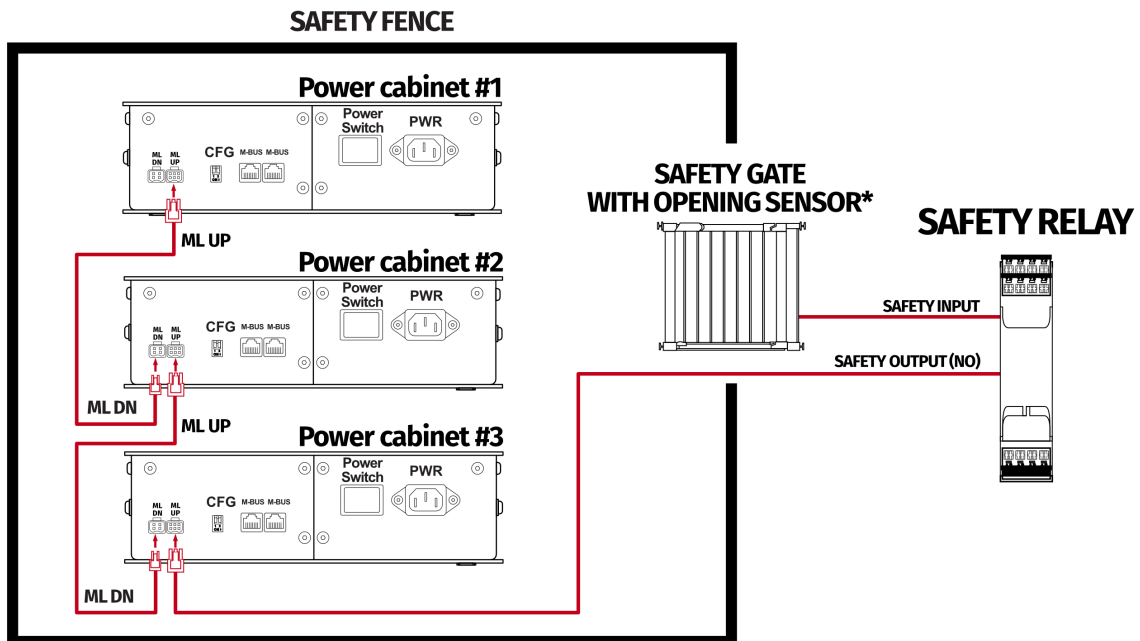
**Example wiring diagram of application of one-channel safety relay with E-STOP button:**



## 7.2. IMPLEMENTING THE WORKING ZONE PROTECTION

To protect bystanders from accidental hit from moving parts of the platform, safety gate with opening sensor\* can be connected to safety relay input for activating ML function. When the gate opens, the safety relay output activates the ML (Motion Lock) function and stops the motion of the platform.

**Example application of safety gate opening sensor:**



\*Check your safety relay manual for list of applicable sensors

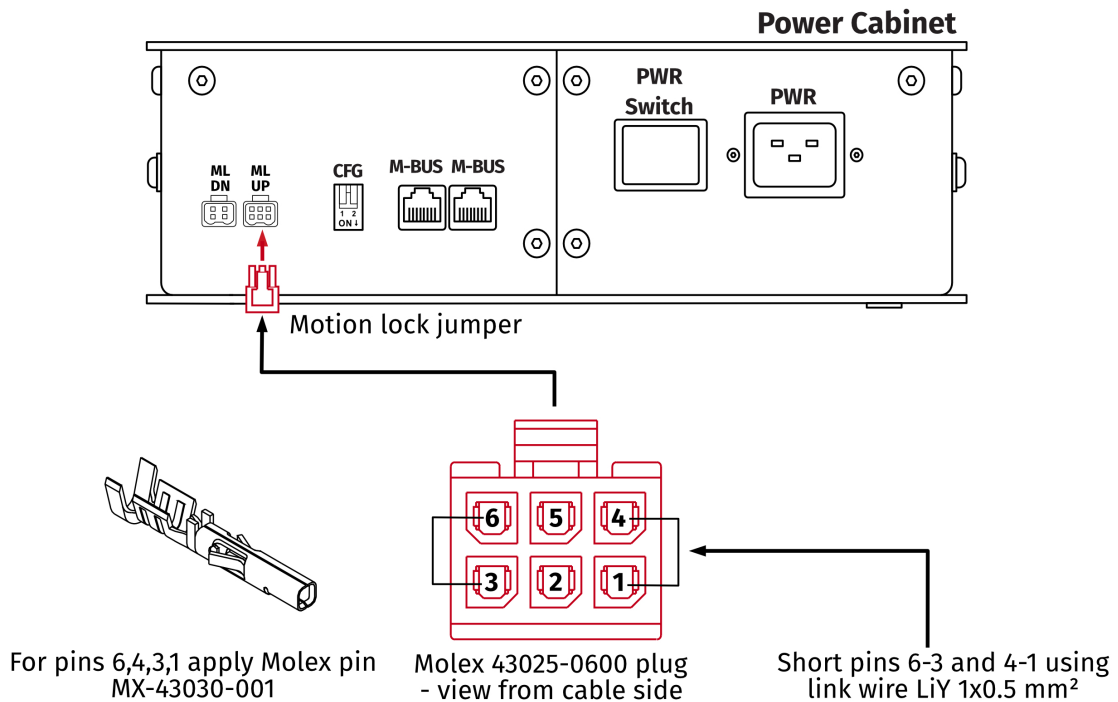
### 7.3. INCREASING SAFETY LEVEL

**WARNING**

Modifications of the safety system, involving application of the power line contactors, shall be performed only by somebody competent. A competent person is a qualified and knowledgeable person, who because of their training and experience has the knowledge required to apply those changes. It is user responsibility to commission modification of the safety system to a competent person, experienced with industrial wiring practices, which will be required to undertake the installation. Commissioning shall be undertaken by a trained electrical technician experienced in safety installations.

#### 7.3.1 ASSEMBLING MOTION LOCK JUMPER

To apply solutions which require using power line contactors, Motion Lock connection cables in the QS-SB2 power cabinet needs to be replaced with jumpers. To prepare a jumper, you need to assemble recommended connector as shown below:





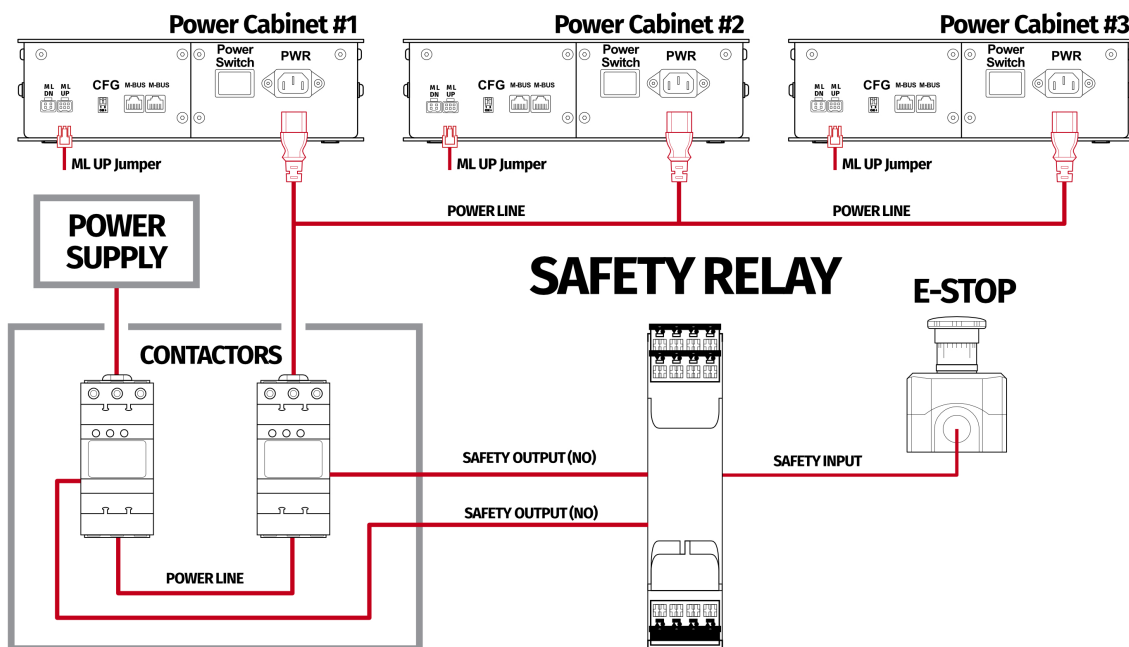
### 7.3.2 ADDING POWER-CUT CIRCUIT WITH E-STOP BUTTON

If specific SIL/PL rated level needs to be achieved, it might be necessary to install a power cut-off device. Two contactors connected in series and controlled by safety relay can be used to provide or cut-off power line to QS-SB2 power cabinets. When safety function on safety relay input is triggered, a safety relay will switch off the contactors, thus cutting-off the power to the platform. To apply this solution, ML UP connection cables needs to be replaced with prepared jumper as described in section 7.3.1.

#### INFO

To achieve required safety performance level it is necessary to perform safety risk assessment at user site.

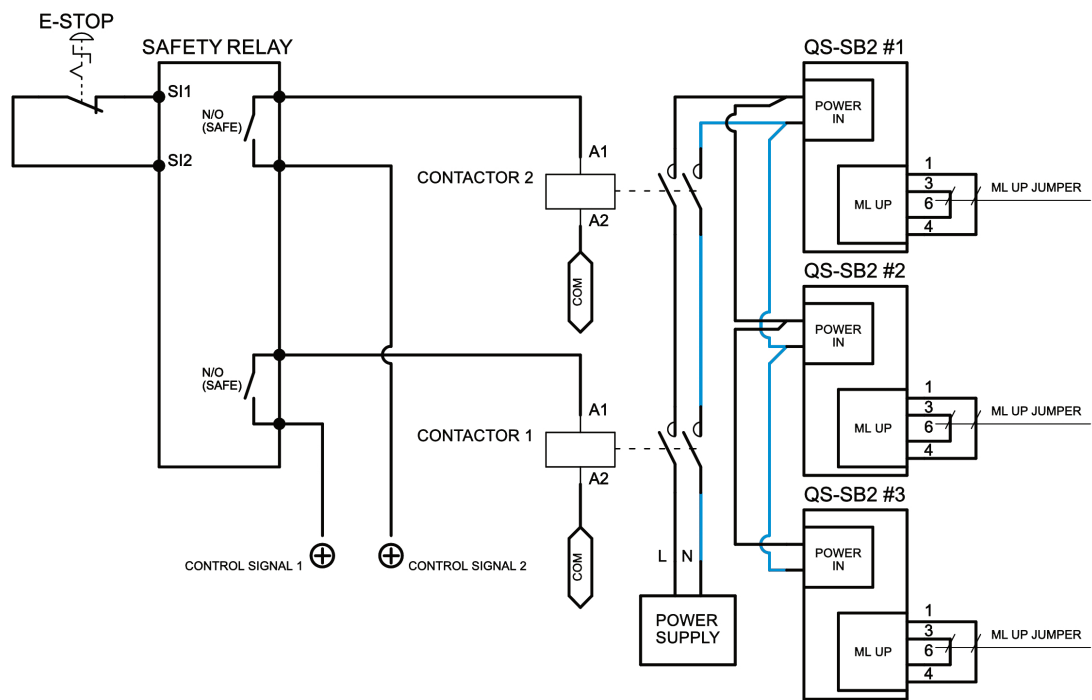
#### Example application of power line contactors and E-STOP button:



#### INFO

In order to increase SIL/PL level it's a good practice to apply well-known contactors of two different manufacturers in order to decrease probability of failure resulting from serial production.

**Example wiring diagram of application of power line contactors and one-channel safety relay with E-STOP:**



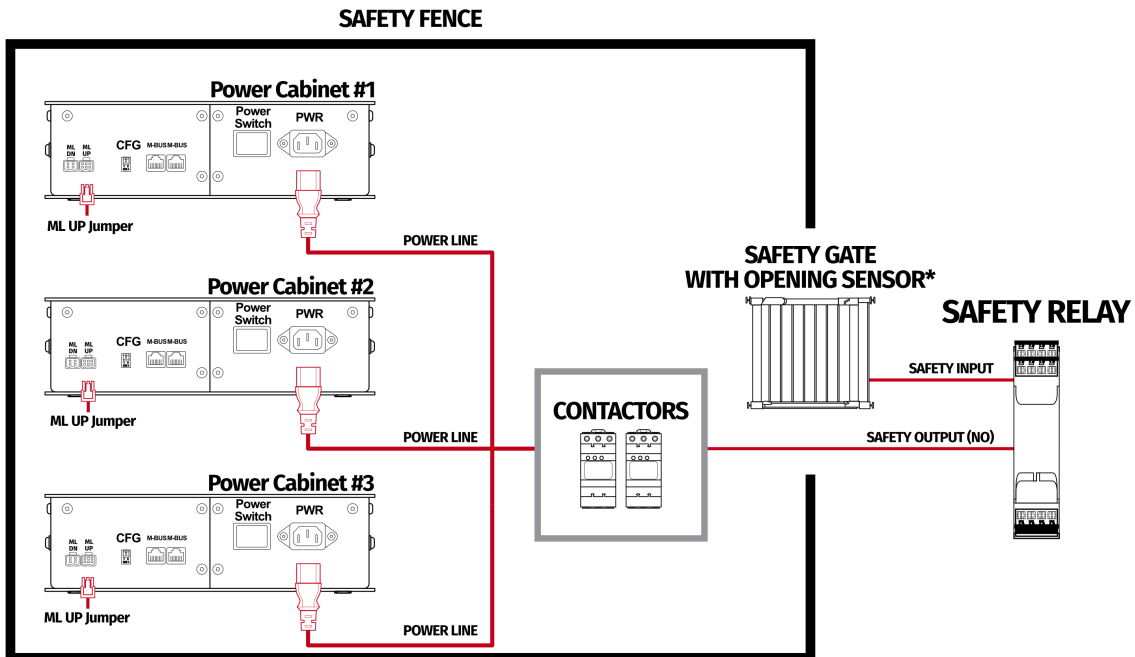
**INFO**

PE (protective grounding/earthing) connection is omitted for better transparency

### 7.3.3 IMPLEMENTING THE WORKING ZONE PROTECTION WITH POWER-CUT CIRCUIT

In example application contactors connected in series provide power line to the QS-SB2 power cabinets. When safety function on safety relay input is triggered, a safety relay will switch off the power contactors, thus cutting-off the power to the platform.

**Example application of power line contactors with safety gate opening sensor:**



\*Check your safety relay manual for list of applicable opening sensors

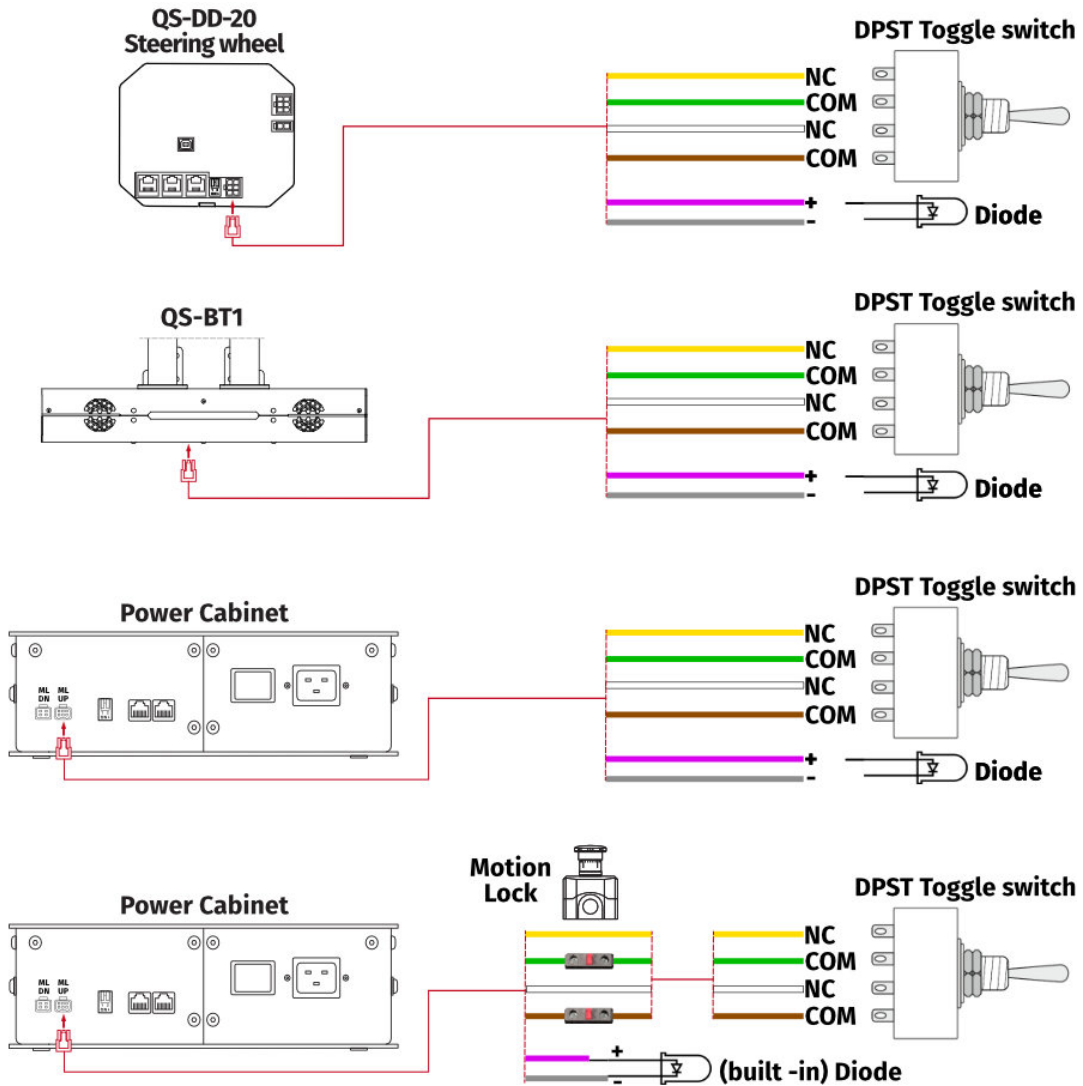
#### INFO

When applying safety relay and contactors to the power line remember to:

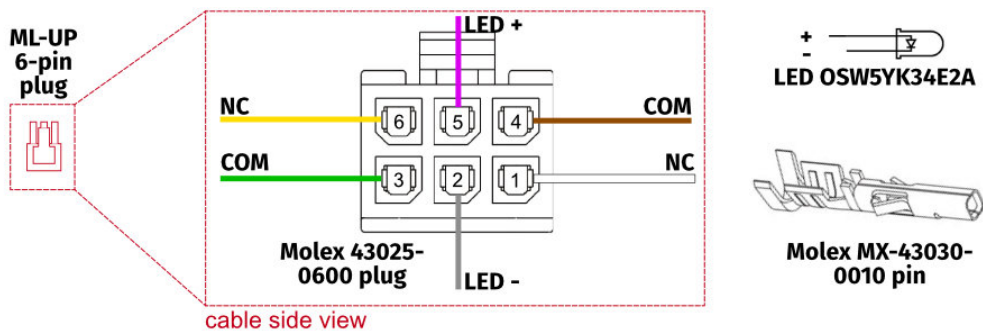
- Use control cables according to your safety relay manual
- Power line cables shall be chosen accordingly to power requirements of motion system. See power requirements of specific motion system.

### 7.4. IMPLEMENTING NON-FACTORY MOTION LOCK SWITCH

If you want to assemble custom Motion Lock switch or a button box setup (only Double Pole Single Throw switch compatible) using QubicSystem Motion Lock interlink cable, follow the diagrams below:



For non-factory Motion Lock plug setup, you must assemble plug and connectors as shown below:



---

## 8. ENVIRONMENTAL IMPACT AND DISPOSAL



**DO NOT** dispose of this product with standard household waste but drop it off at a collection point for the disposal of Waste Electrical and Electronic Equipment for recycling.

QS-S25 is shipped with wooden cases/cardboard boxes. If the packaging is no longer needed, it can be fully recycled.

QS-S25 is an advanced device and if stored or disposed of incorrectly it could harm the environment or/and other people. When the device is no longer in use it should be disposed in environmental safe manner in compliance with applicable local work and environmental protection regulations. If no other agreement of disposal was concluded, the device shall be dismantled for disposal as follows:

- Metal parts should be scrapped.
- Electric and electronic components should be disposed of in the specialized disposal center.
- Other materials should be sorted and disposed of accordingly to the local law and regulations.

## 9. LIABILITY DISCLAIMER

If permitted under applicable law, Motion Systems and its subsidiaries disclaim all liability for any damages caused by one or more of the following:

- The product has been modified, opened, or altered.
- Failure to comply with assembly instructions.
- Inappropriate or abusive use, negligence, an accident (an impact - for example).
- Normal wear.

### INFO

If permitted under applicable law, Motion Systems and its subsidiaries disclaim all liability for any damages unrelated to the material or manufacturing defect with respect to the product (including, but not limited to, any damages caused directly or indirectly by any software, or by combining the QS-S25 with any unsuitable element or other elements not supplied or not approved by Motion Systems for this product).

## **10. WARRANTY**

Motion Systems warrants to the consumer that this product shall be free from defects in materials and workmanship, for a warranty period which corresponds to the time limit to bring an action for concerning this product.

For commercial customers, there is a one (1) year limited warranty, starting on the original date of purchase.

Within the warranty period, the product will be repaired or replaced free of charge, excluding shipping charges.

This warranty shall not apply:

- If the product has been modified, opened, altered, or has suffered damage as a result of inappropriate or abusive use, negligence, an accident, normal wear, or any other cause unrelated to a material or manufacturing defect (including, but not limited to, combining the QS-S25 with any unsuitable element, including in particular power supplies, chargers, or any other elements not supplied or approved by Motion Systems for this product).
- In the event of failure to comply with the instructions provided by technical support.
- To software (said software being subject to a specific warranty).
- To accessories (cables, cases, for example).
- If the product was sold at public auction or if the product has suffered damage as a result of force majeure: flood, fire, earthquake, storm.

This warranty is non-transferable. No new warranty period commences if the product is repaired or replaced. Your statutory rights towards the seller are not affected or restricted by this warranty. Motion Systems, and their partners are not liable for any indirect, incidental, or punitive damages from use of this product. In case of malfunction during the warranty period immediately contact technical support.

---

## 11. COPYRIGHT

Qubic System is a trademark of Motion Systems. All rights reserved.

All the contents in this user manual are the intellectual property of Motion Systems. No part of this manual, including the products and software described in it, shall be modified or translated into any language without the prior written permission of Motion Systems. Specifications and information in this manual are subject to change at any time without obligation to notify any person of such revision or changes. Illustrations are not binding.

### INFO

Trademark Notice - All brand names, icons, and trademarks that appeared in this manual are the sole property of their respective holders.

## 12. MANUFACTURER INFORMATION

**Qubic System** is a brand  
that belongs to **Motion Systems**

HQ address:  
Miedziana 7 Street  
55-003 Nadolice Wielkie  
Poland



**Motion Systems homepage**



**QubicSystem homepage**

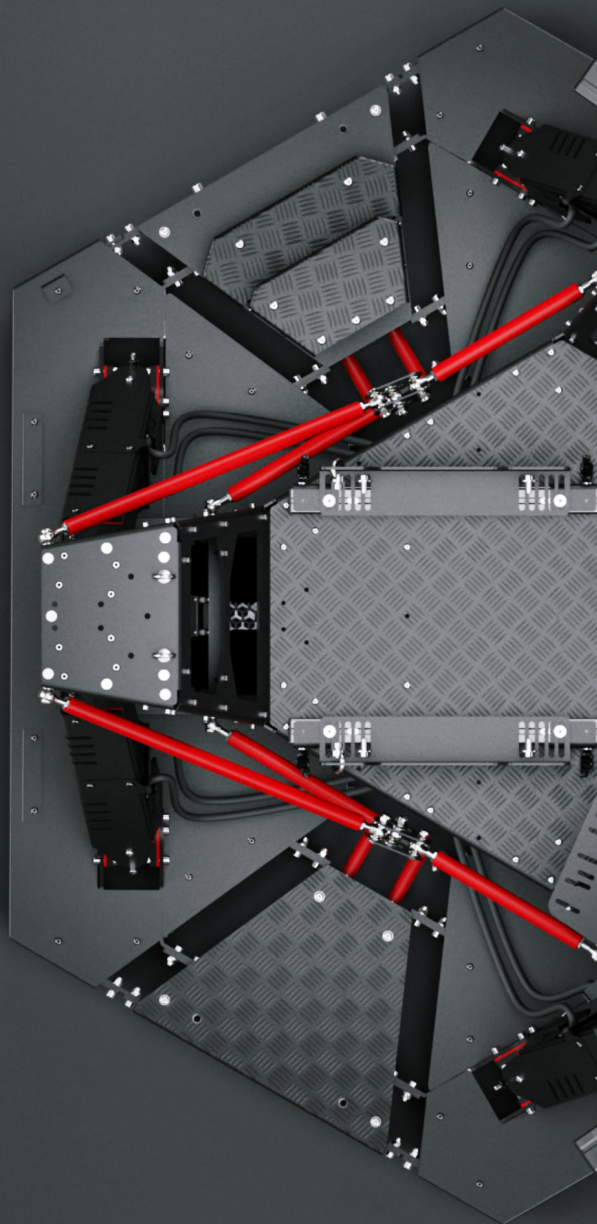
### INFO

In support queries please contact your reseller.





 QUBICSYSTEM



**QS 525**